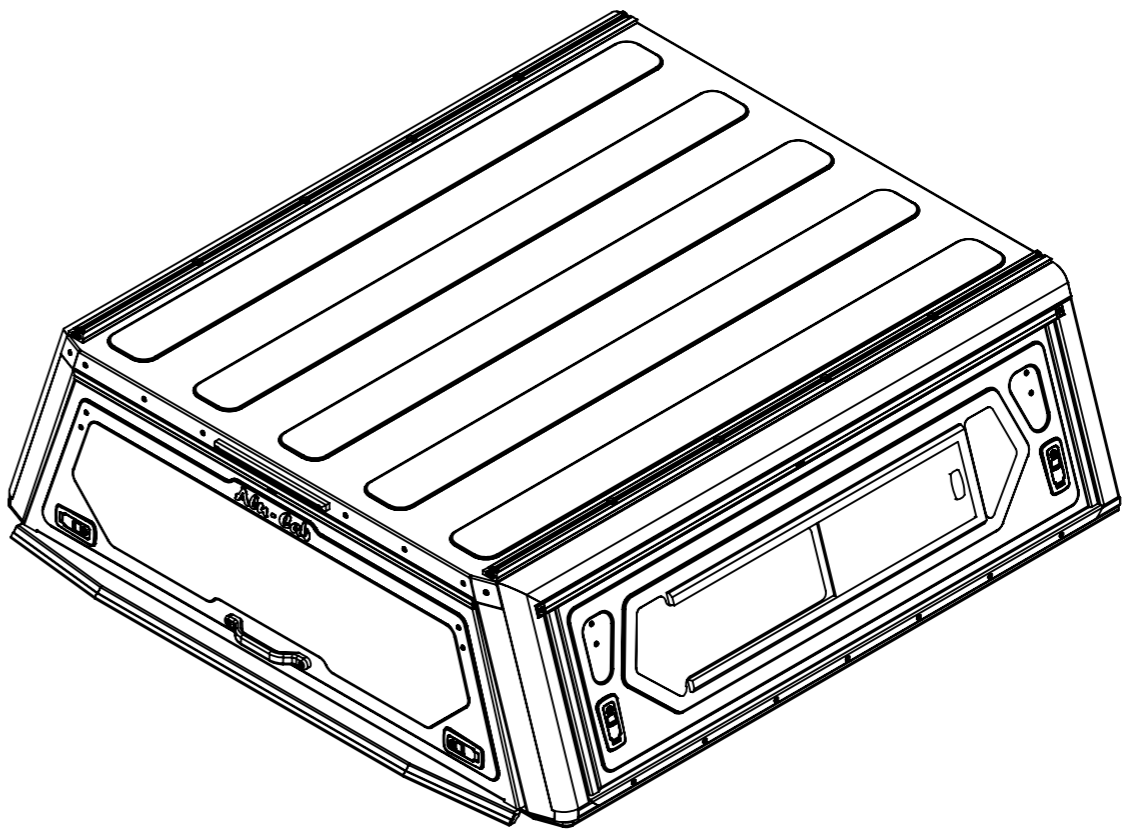
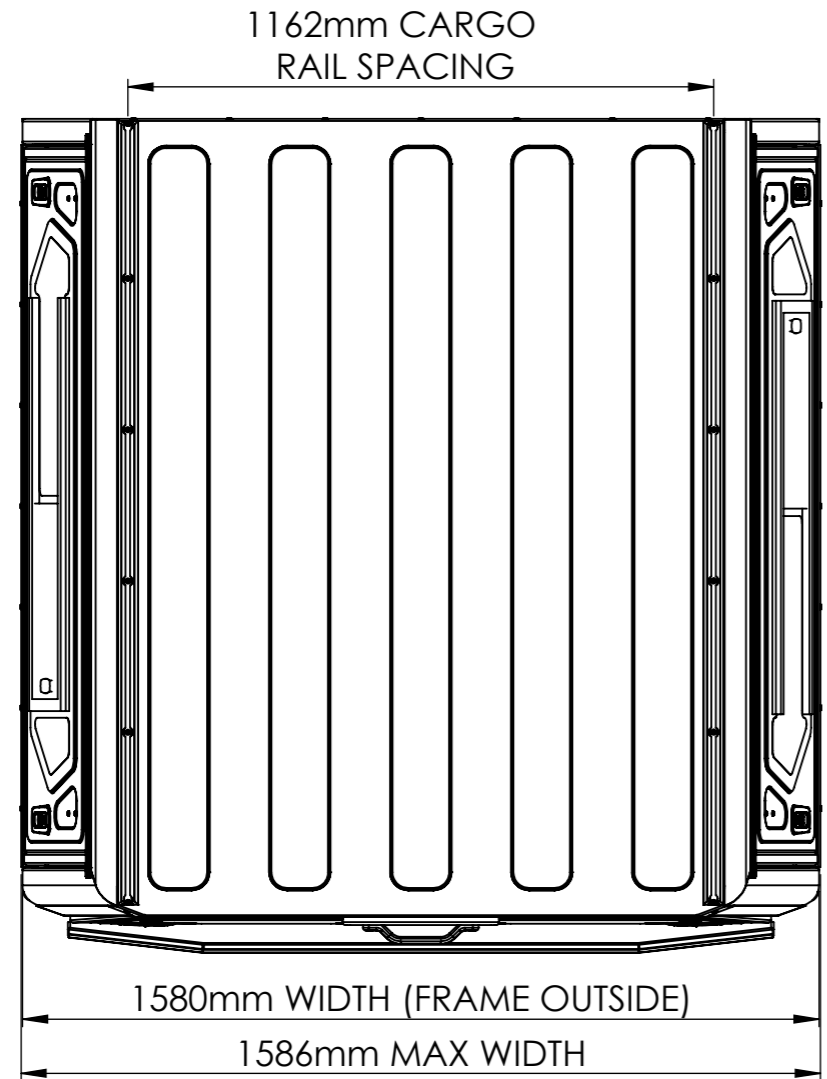
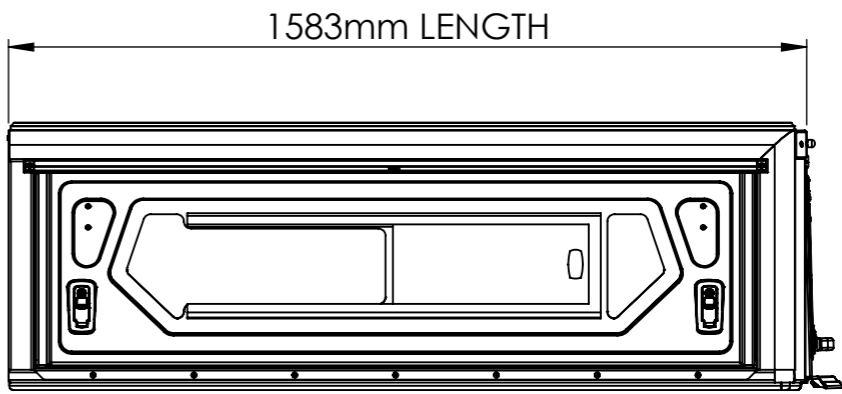
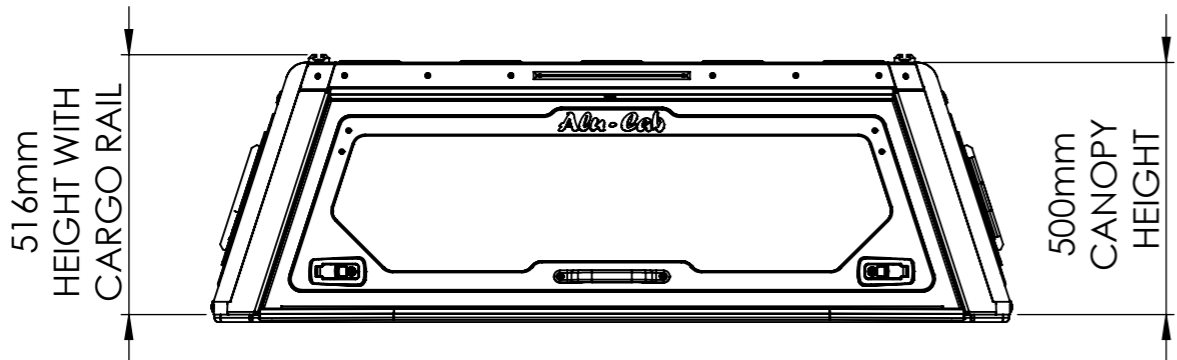


GENERAL ARRANGEMENT ONLY



TOLERANCES TO ASSUME UNLESS INDICATED OTHERWISE		MATERIAL DESCRIPTION:		MATERIAL THICKNESS (mm):	
NOM DIMENSION	RANGE (mm)	TOLERANCE	DESCRIPTION:	SHEET:	
0.50	- 3.00	± 0.10	HILUX REVO DC MAIN ASSEMBLY	A3	SHEET 1 of 1
3.00	- 6.00	± 0.15			
6.00	- 30	± 0.20		PROJECT:	SCALE:
30	- 120	± 0.30			1:15
120	- 400	± 0.50		DRAWN BY:	DATE:
400	- 1000	± 1.00		Gideon Muller	2022-04-04
1000	- 1000<	± 2.00	DRAWING NO. C2-D-TH16-A00-GA		REV
			THE INFORMATION CONTAINED WITHIN THIS DOCUMENT IS THE INTELLECTUAL PROPERTY OF ALU-CAB (PTY) LTD		

