



**FROM CONCEPT TO USER**

---

# JPPC102

Rear bumper

# Jeep

## Technical Data

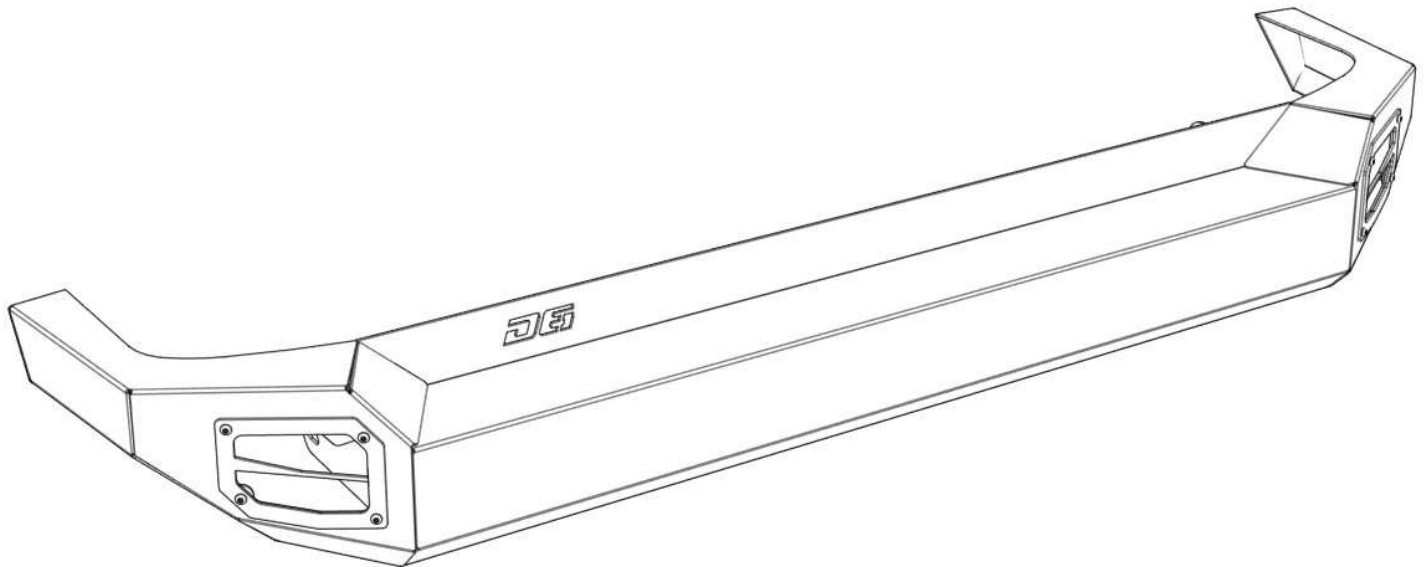
---

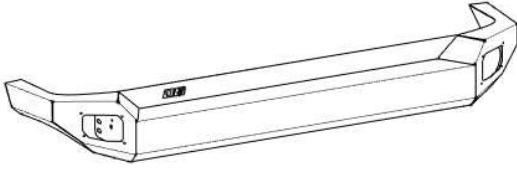
Material	Steel S275JR EN10025-2
Thickness	3 mm
Finish	Textured Black Powder Coating

## Vehicle Compatability

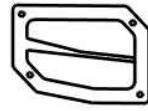
---

Jeep Wrangler JK

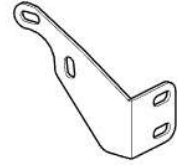


**Checklist:**

Rear bumper

 2x

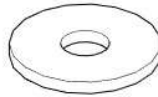
Light mask

 2x

Light support

 2x

M6x16

 8x

M6 large

 8x

M6

 8x**Tools required:**

10



4

**Fitting instructions:**