



FROM CONCEPT TO USER

LRPT116

Treeslider

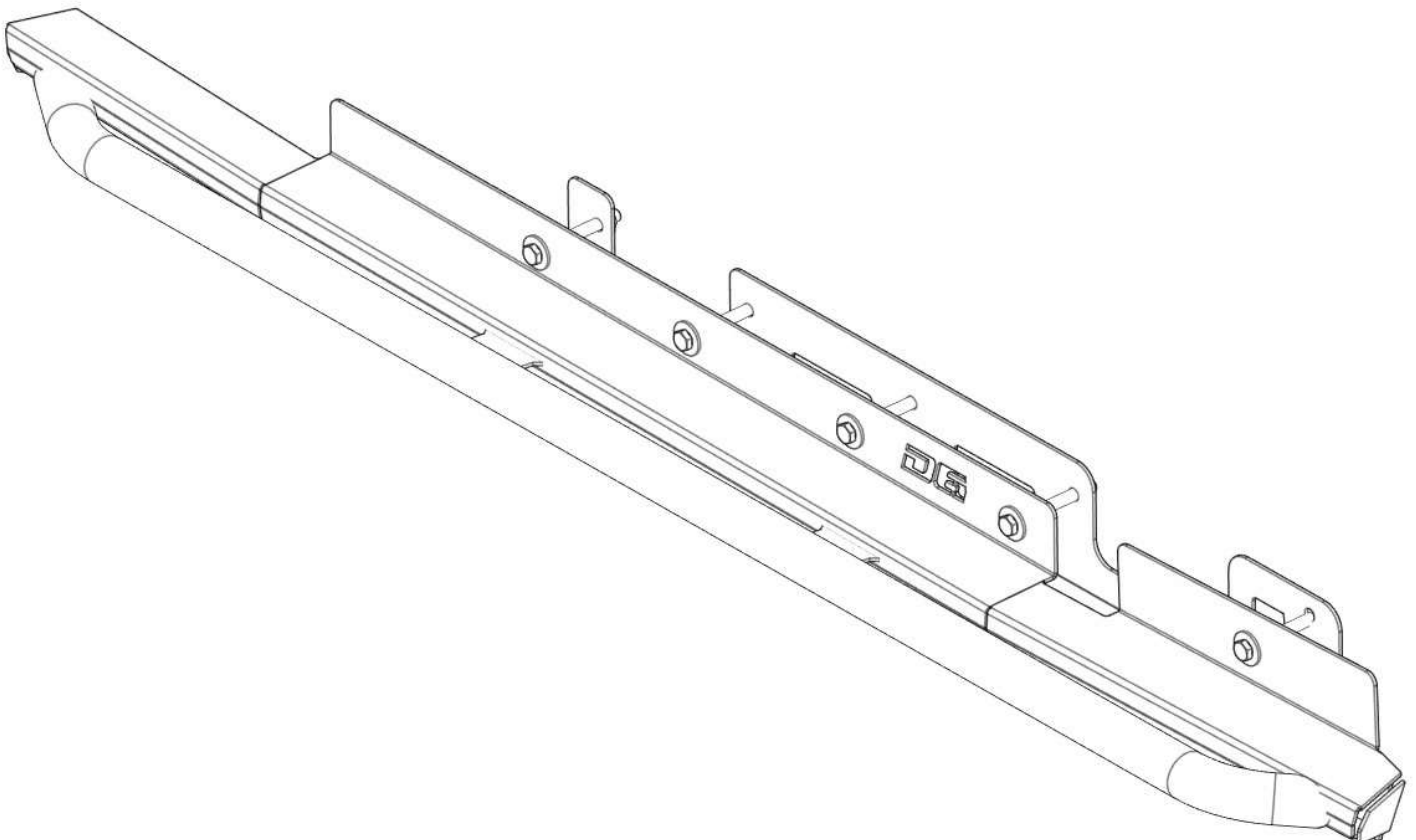
Land Rover

Technical Data

Material	Steel S275JR EN10025-2
Thickness	3 mm
Finish	Textured Black Powder Coating

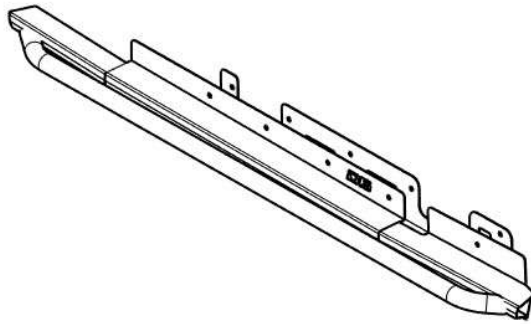
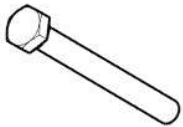
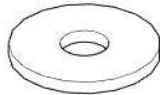
Vehicle Compatability

Land Rover Discovery 1, 2
and RR Classic 5p



Concept D6 Unipessoal, Lda | Zona Ind. Rio Meão | street 8 | nº 310 | 4520-475 Rio Meão

www.D6-4x4.com | facebook.com/d6.4x4 | instagram.com/D6_4x4

Checklist:**Treeslider** 2x (RH / LH)**M10x90** 10x**M10** 20x**M10** 10x**Plastic cover** 10x**Tools required:**

17

Fitting instructions: