

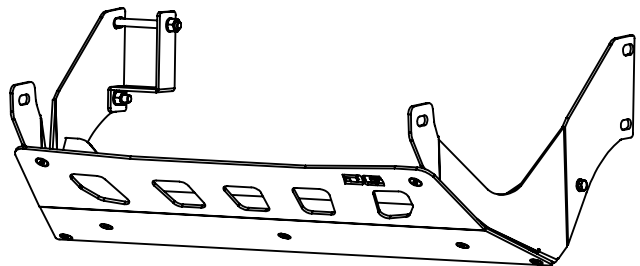
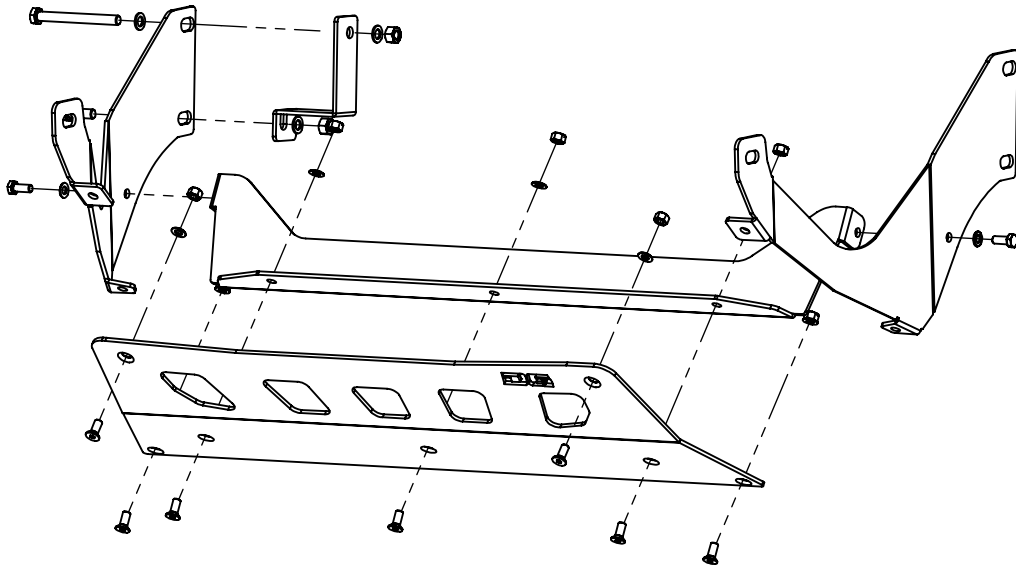


www.c6-4x4.com



LAND ROVER DISCOVERY 2

LRPT103/119 STEERING GUARD



MADE IN EUROPE