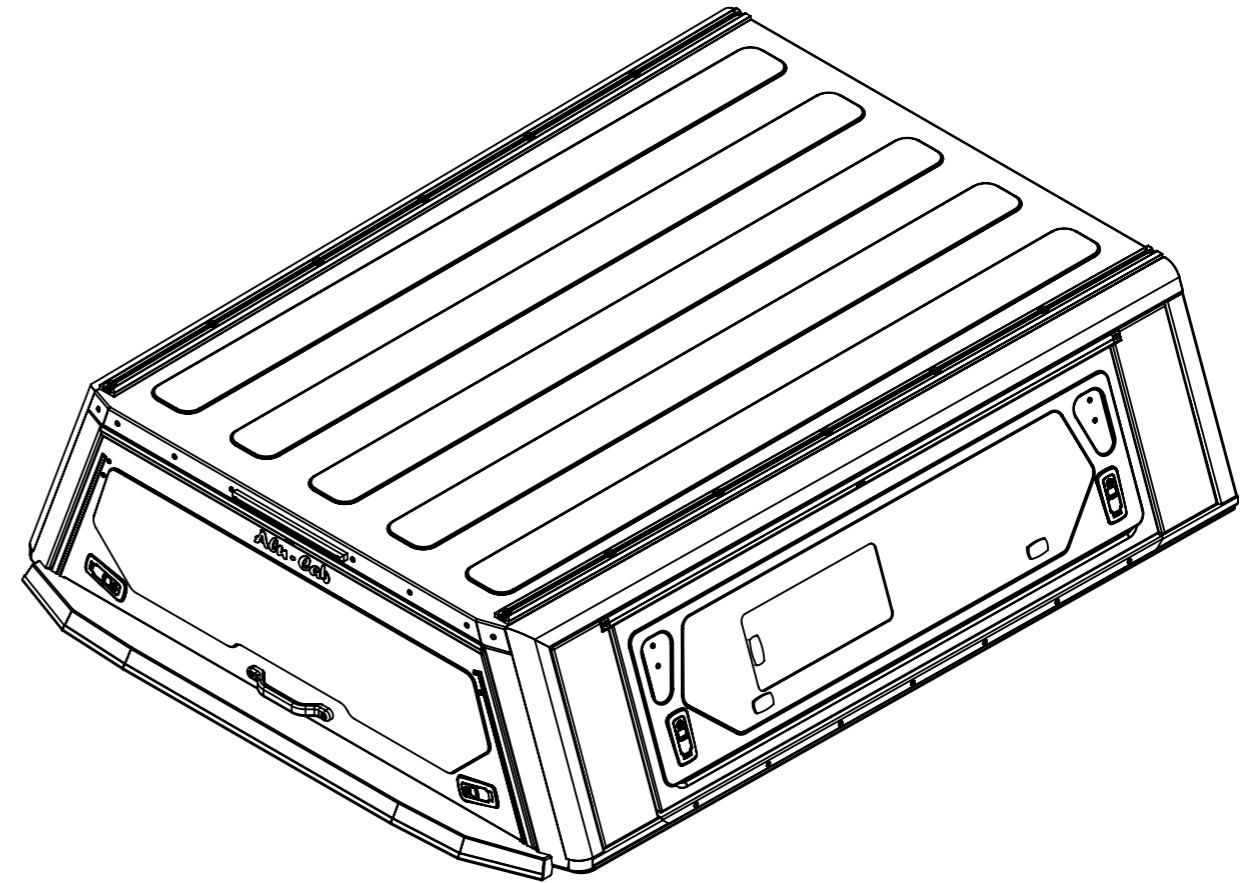
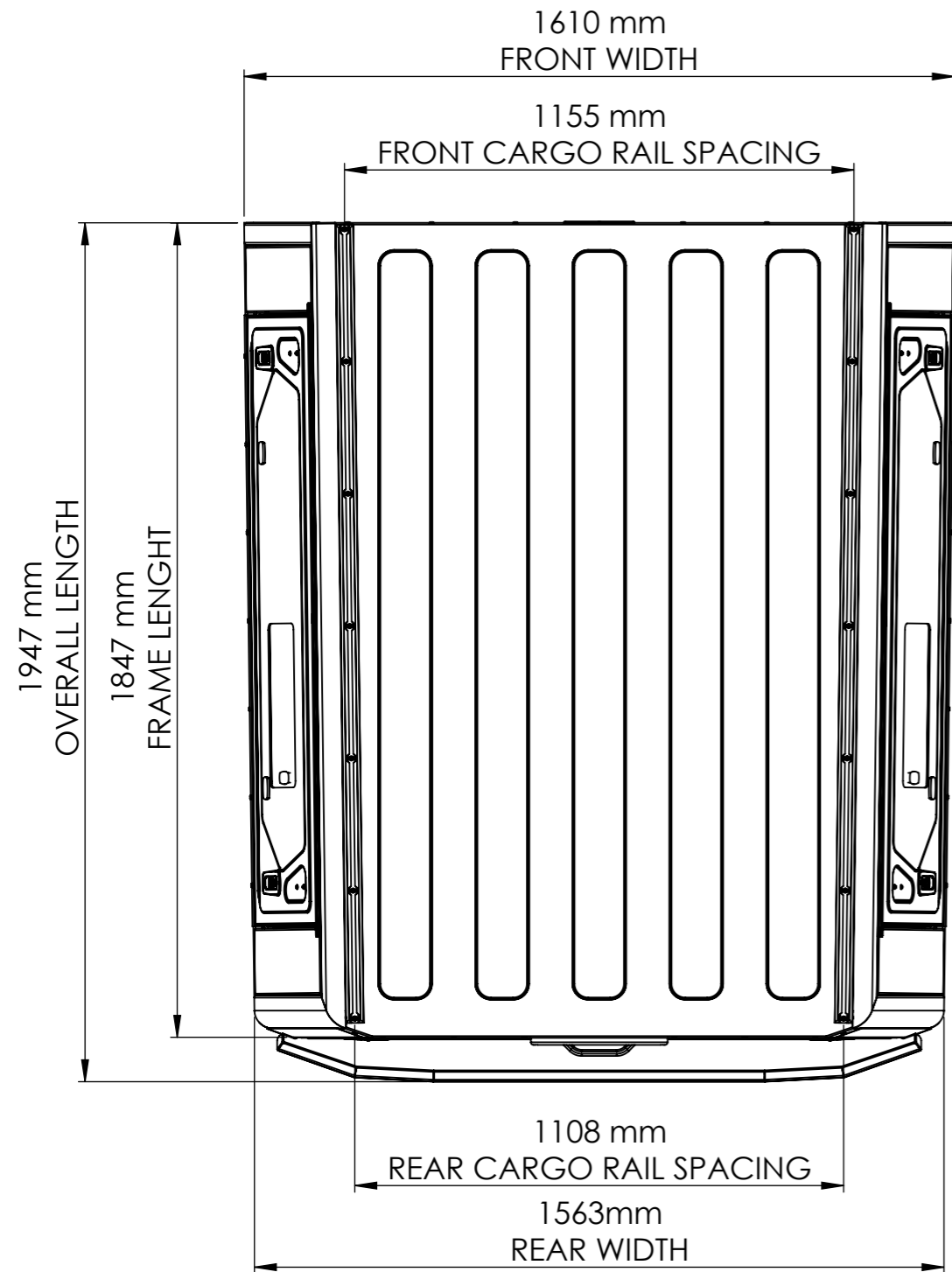
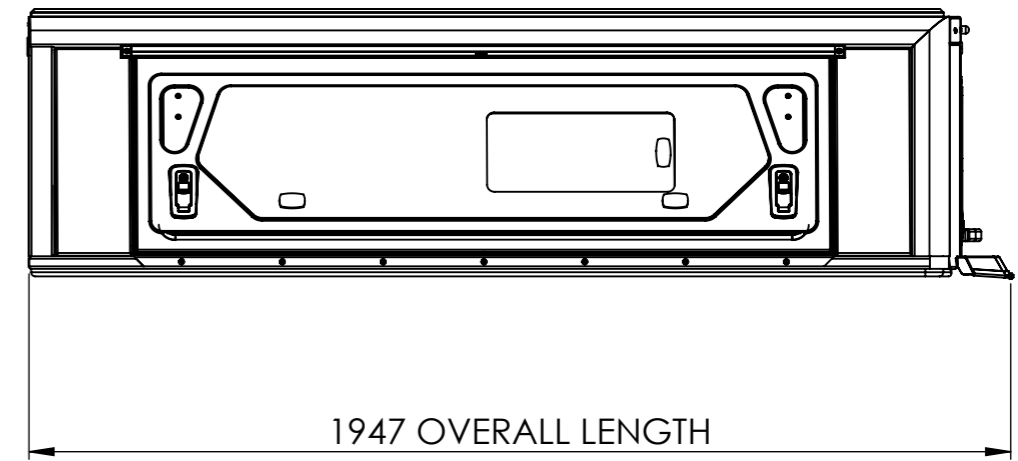

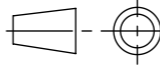


GENERAL ARRANGEMENT ONLY



TOLERANCES TO ASSUME UNLESS INDICATED OTHERWISE		MATERIAL DESCRIPTION:		MATERIAL THICKNESS (mm):																									
<table border="1"> <thead> <tr> <th>NOM DIMENSION</th> <th>RANGE (mm)</th> <th>TOLERANCE</th> </tr> </thead> <tbody> <tr> <td>0.50</td> <td>- 3.00</td> <td>± 0.10</td> </tr> <tr> <td>3.00</td> <td>- 6.00</td> <td>± 0.15</td> </tr> <tr> <td>6.00</td> <td>- 30</td> <td>± 0.20</td> </tr> <tr> <td>30</td> <td>- 120</td> <td>± 0.30</td> </tr> <tr> <td>120</td> <td>- 400</td> <td>± 0.50</td> </tr> <tr> <td>400</td> <td>- 1000</td> <td>± 1.00</td> </tr> <tr> <td>1000</td> <td>- 1000&lt;</td> <td>± 2.00</td> </tr> </tbody> </table>		NOM DIMENSION	RANGE (mm)	TOLERANCE	0.50	- 3.00	± 0.10	3.00	- 6.00	± 0.15	6.00	- 30	± 0.20	30	- 120	± 0.30	120	- 400	± 0.50	400	- 1000	± 1.00	1000	- 1000<	± 2.00	DESCRIPTION: <b>FORD RANGER 2022 MAIN ASSEMBLY</b>		SHEET: A3	
NOM DIMENSION	RANGE (mm)	TOLERANCE																											
0.50	- 3.00	± 0.10																											
3.00	- 6.00	± 0.15																											
6.00	- 30	± 0.20																											
30	- 120	± 0.30																											
120	- 400	± 0.50																											
400	- 1000	± 1.00																											
1000	- 1000<	± 2.00																											
PROJECT: <b>C2-X-FR22</b>		SCALE: 1:15		SHEET 1 of 1																									
		DRAWN BY: Jac Braamse		DATE: 2023-07-26																									
THE INFORMATION CONTAINED WITHIN THIS DOCUMENT IS THE INTELLECTUAL PROPERTY OF ALU-CAB (PTY) LTD		DRAWING NO. <b>C2-X-FR22-A00-GA</b>		REV <b>00</b>																									