

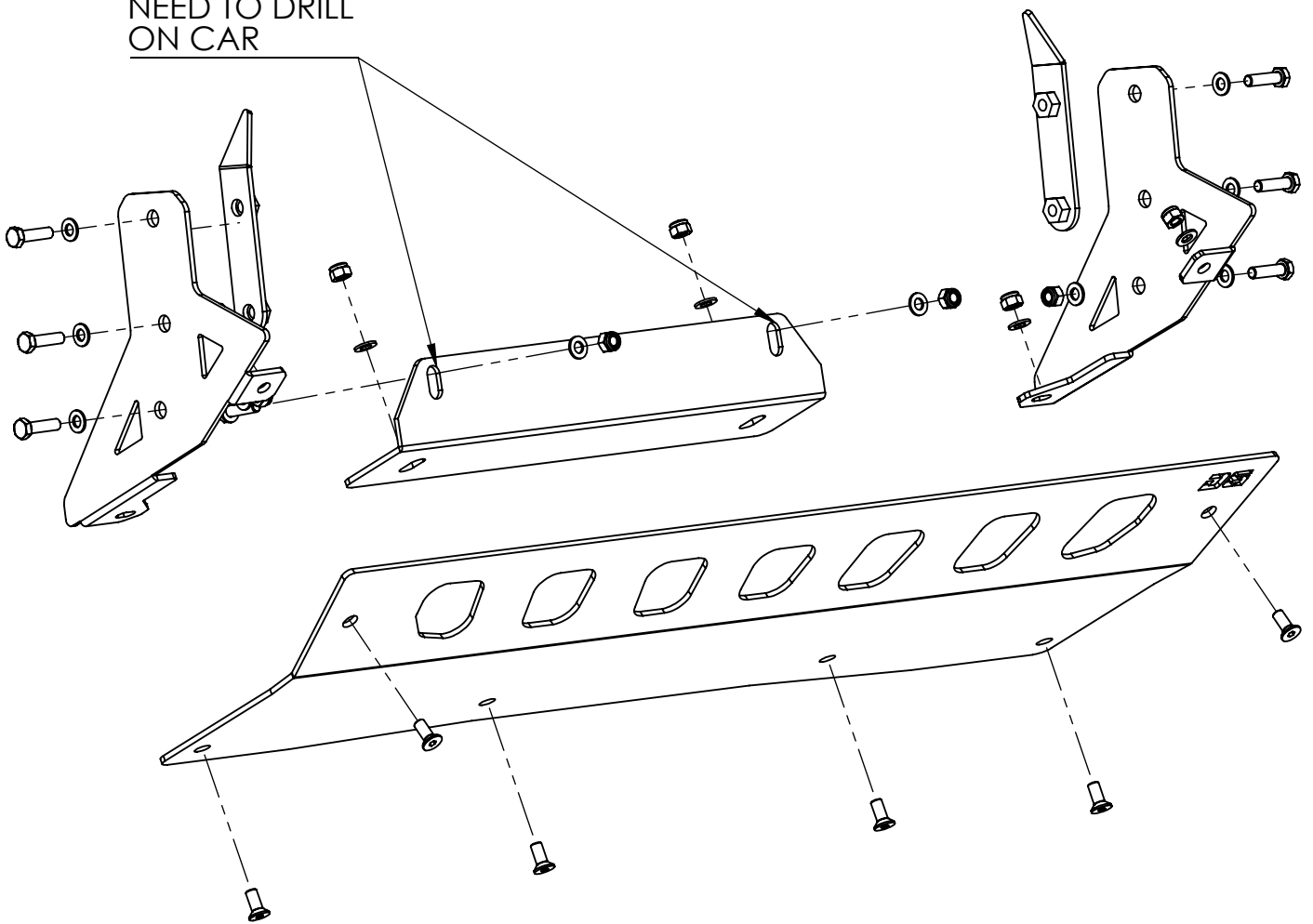


www.c6-4x4.com

JEEP WRANGLER

JPPT104 STEERING SKID PLATE

NEED TO DRILL
ON CAR



MADE IN EUROPE