



FROM CONCEPT TO USER

FRPC004

Rear Bumper

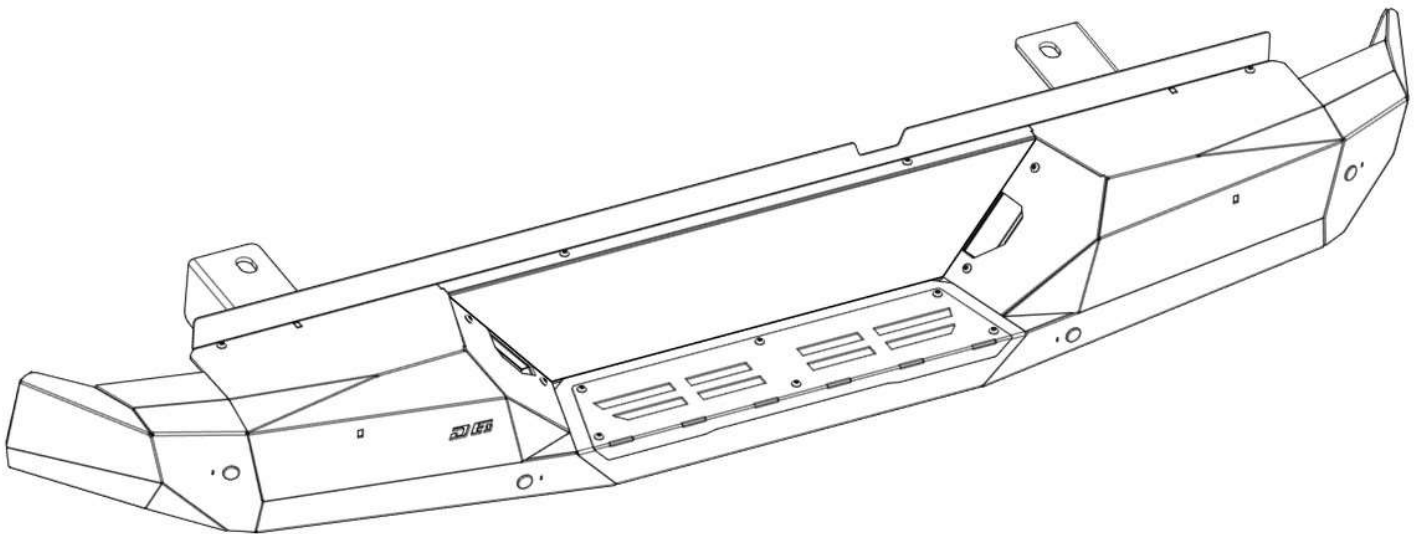
Ford

Technical Data

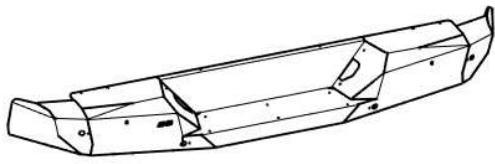
Material	Steel S275JR EN10025-2 Aluminium EN-AW5754 H111
Thickness	Steel 1,5 / 3 / 6 mm ; Al. 2 mm
Finish	Textured Black Powder Coating

Vehicle Compatibility

Ranger 2023+



Checklist:



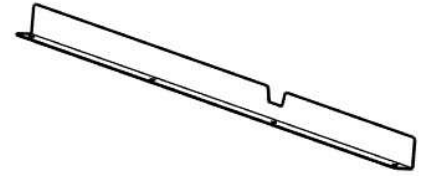
Rear Bumper

1x



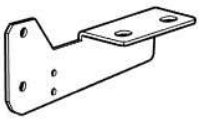
Central finish

1x



Finish plate

1x



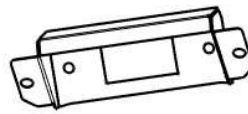
Chassi bracket
(LH/RH)

2x



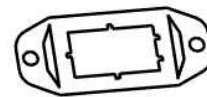
Bumper side
bracket (LH/RH)

2x



Light plate
bracket_1

2x



Light plate
bracket_2

2x



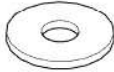
M6

4x



M6x20
black

18x



M6

14x



M6

14x



M8x20

6x



M8

6x



M8

6x



Hole cover
18mm

4x

Tools required:



10 ; 13 ; 17



4 ; 5



M10x30

4x



M10
wide brim

4x



M10

8x

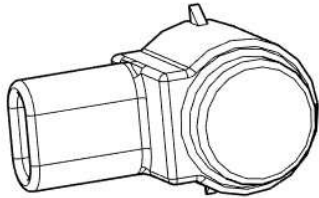


Cable tie
140 x 2.5mm

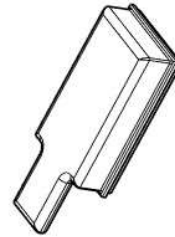
10x

Before starting the installation

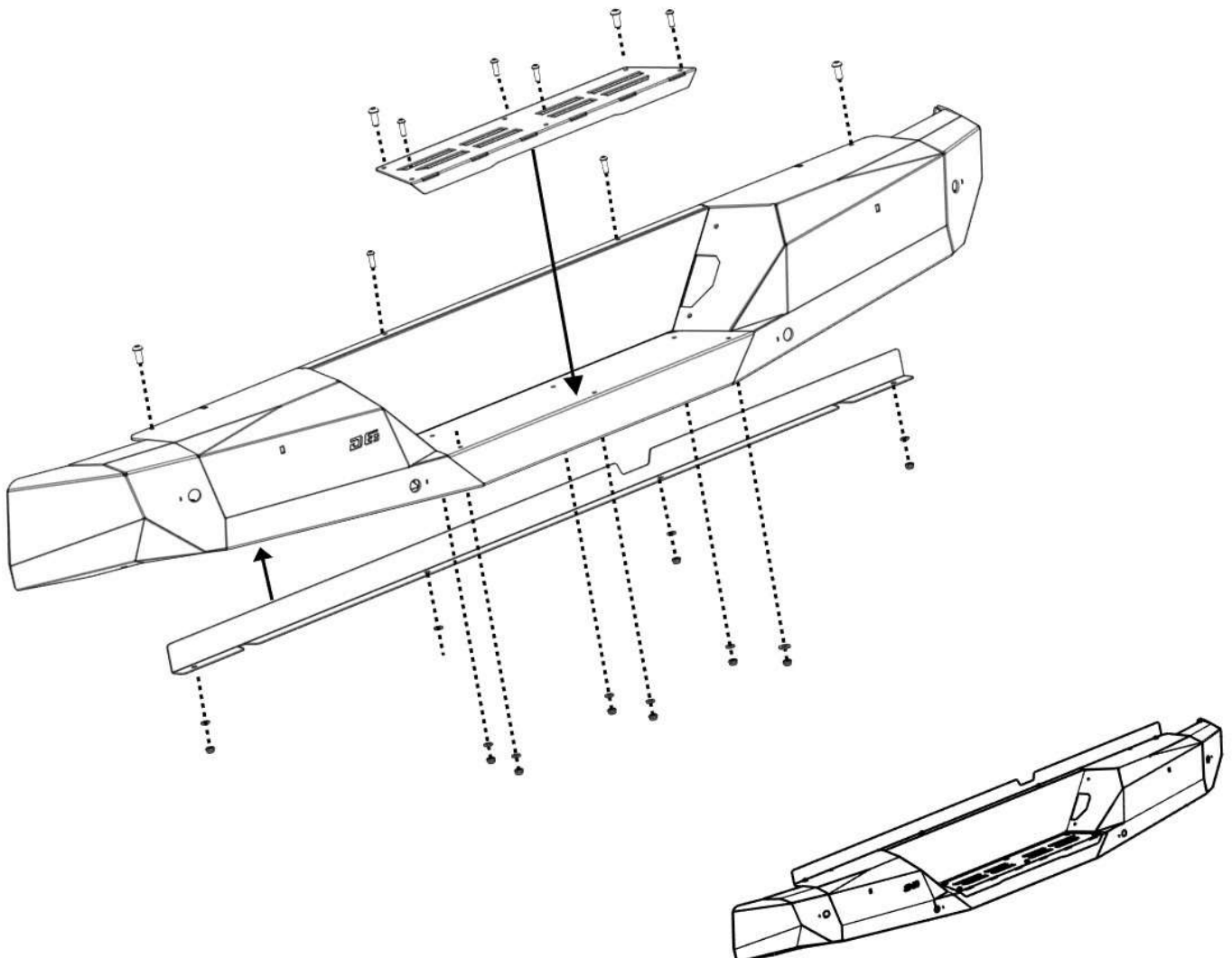
Remove parking sensors
and respective wiring

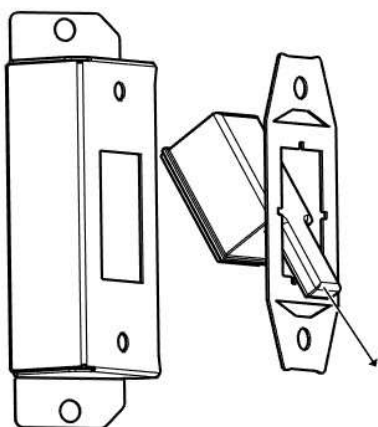


Remove plate light from plastic box

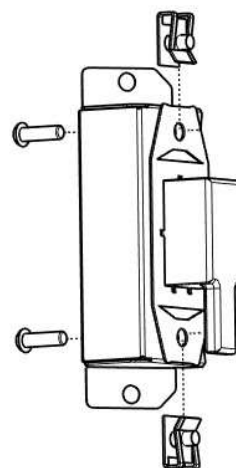


Fitting instructions:

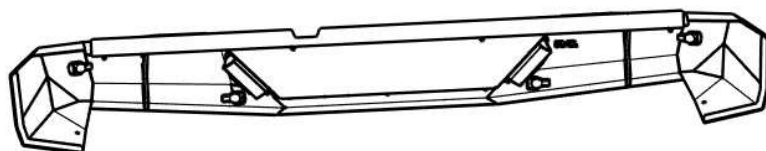
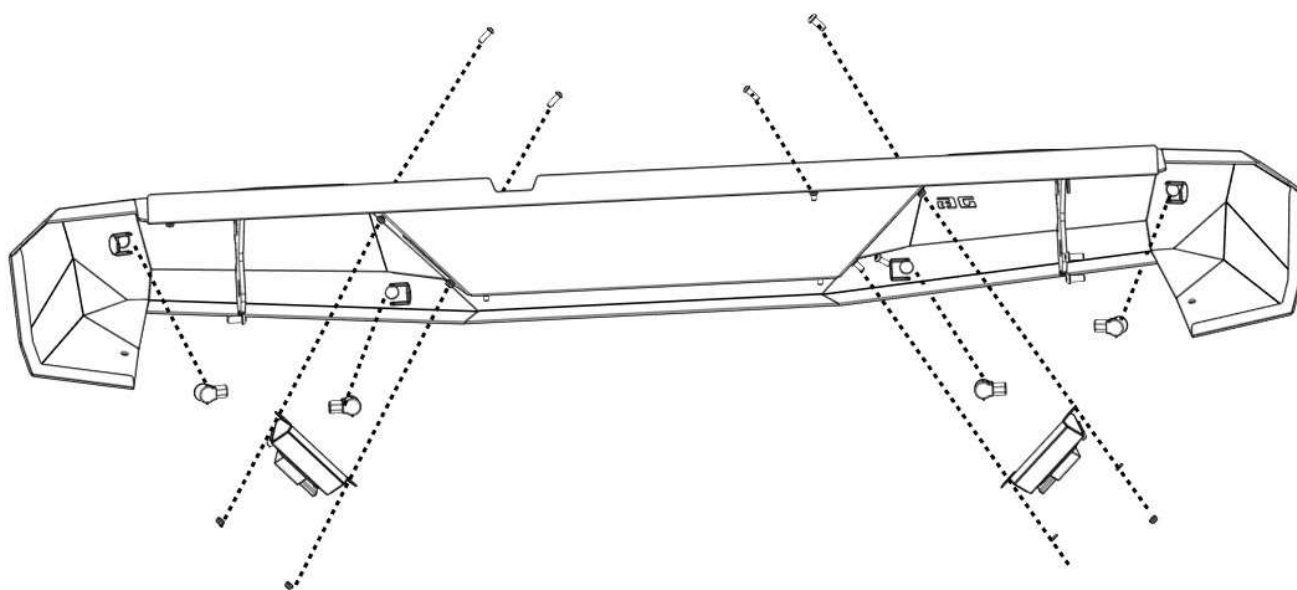




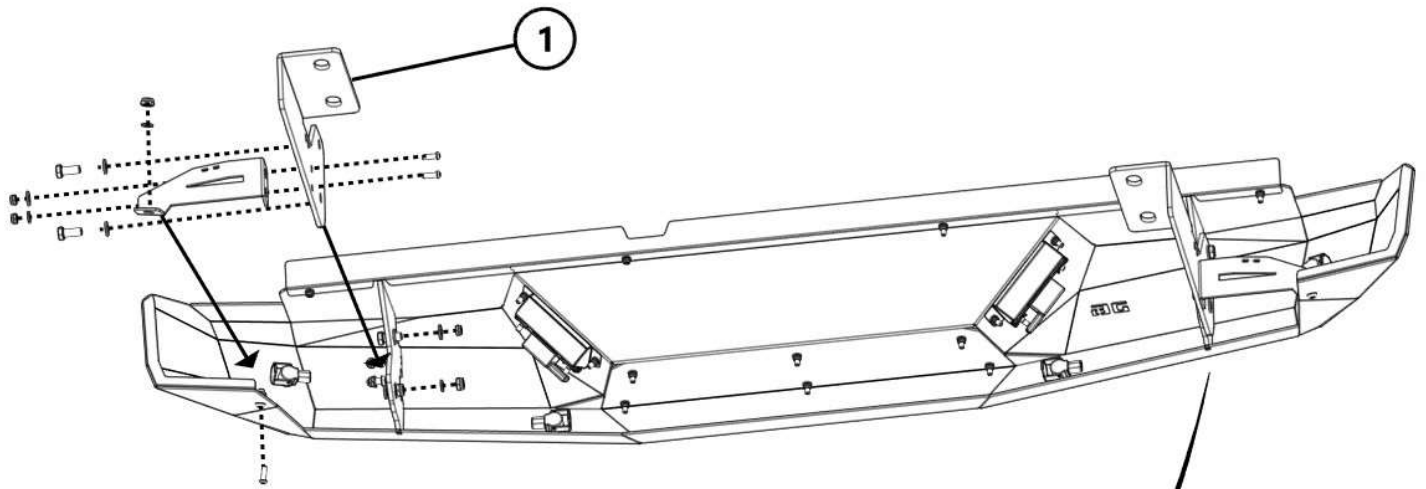
Place light as the image.



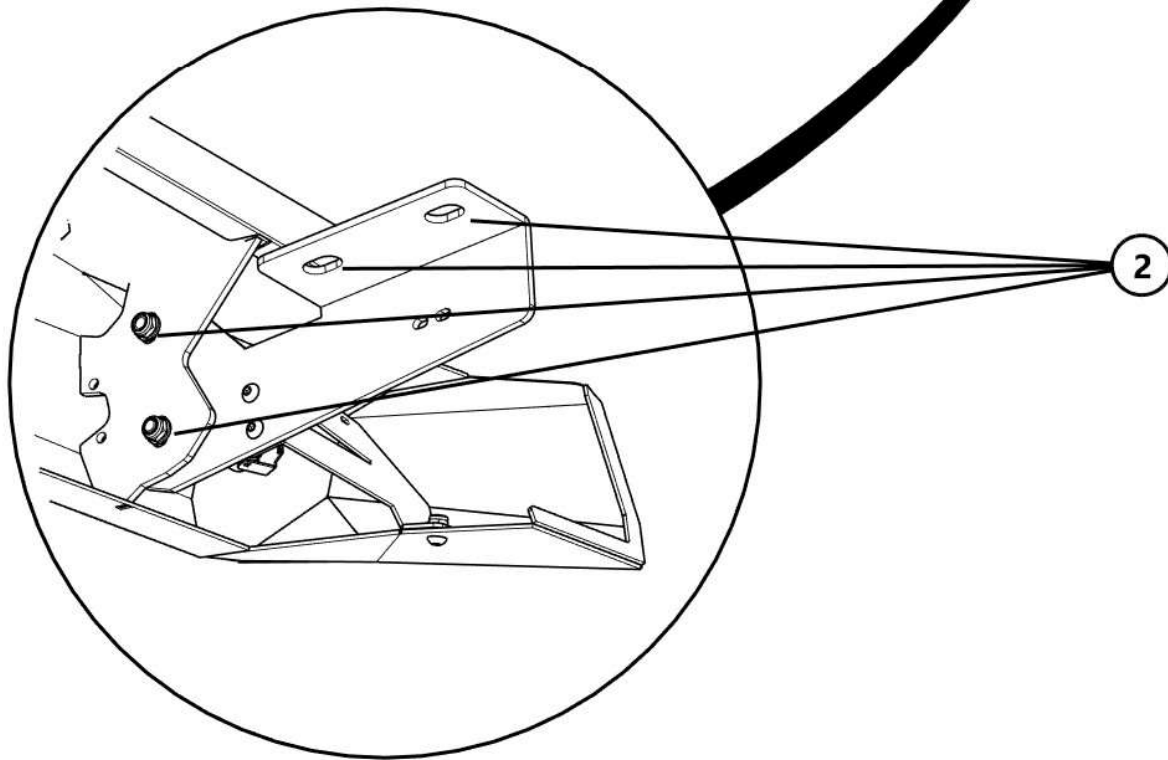
Screw the bolts until it bends the light bracket_2



Place the light, sensors and respective wiring



- 1. Attach to the vehicle first.
Don't give the final torque.**



- 2. Adjustable holes.
Fit the bumper and give the final torque.**