



FROM CONCEPT TO USER

LRPC110

Rear Bumper

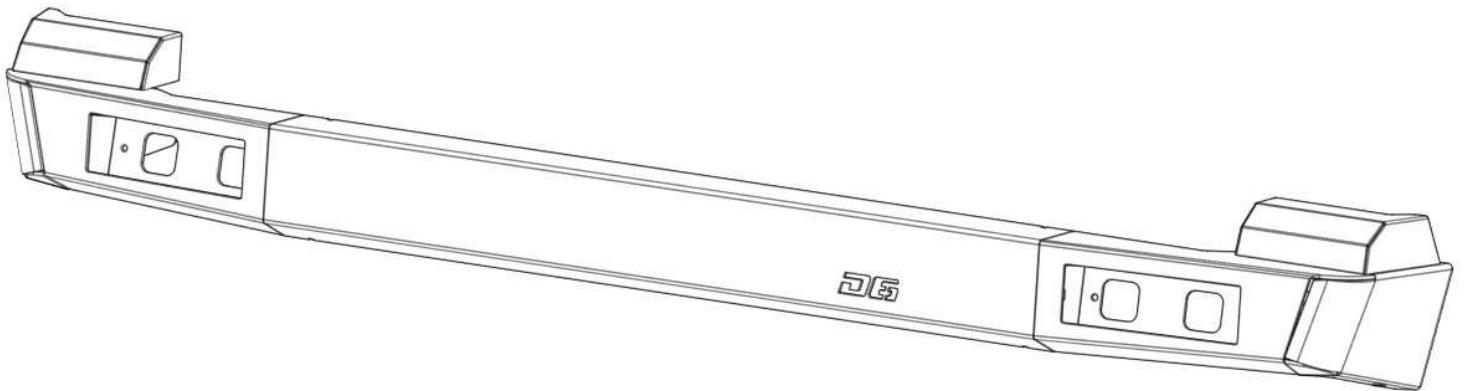
Land Rover

Technical Data

Material	Steel S275JR EN10025-2
Thickness	3 mm
Finish	Textured Black Powder Coating

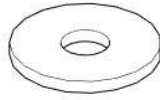
Vehicle Compatability

Land Rover Discovery I 300Tdi



Checklist:

M6x20

 6x

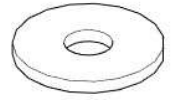
M6 wide brim

 6x

M6

 6x

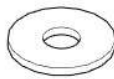
M10x25

 2x

M10 wide brim

 2x

M8x20 conical

 2x

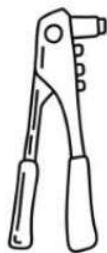
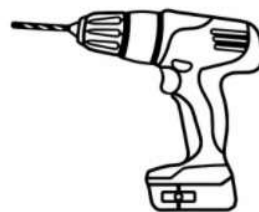
M8

 2x

M8

 2x

Rivet 5x16

 6x**Tools required:** 10, 17 5 Ø 6

Fitting instructions: