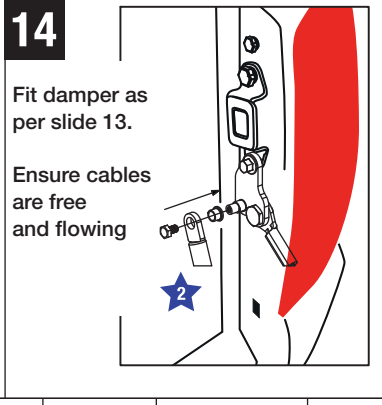
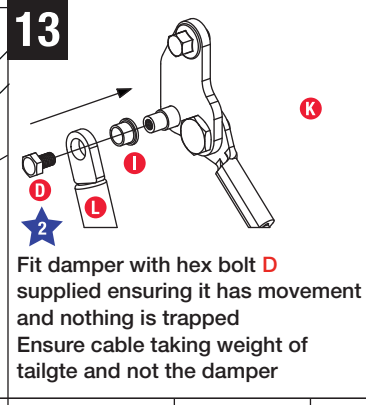
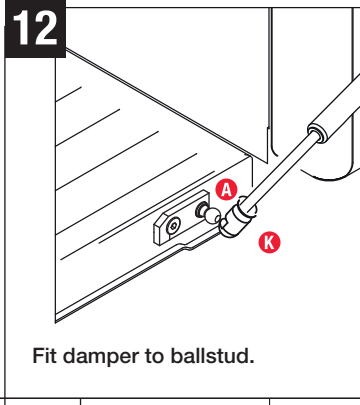
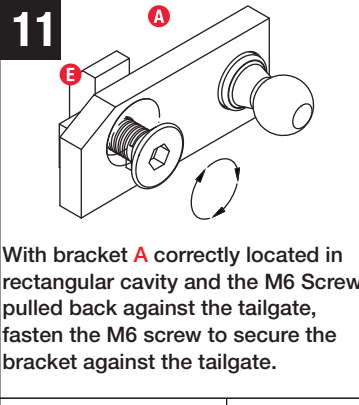
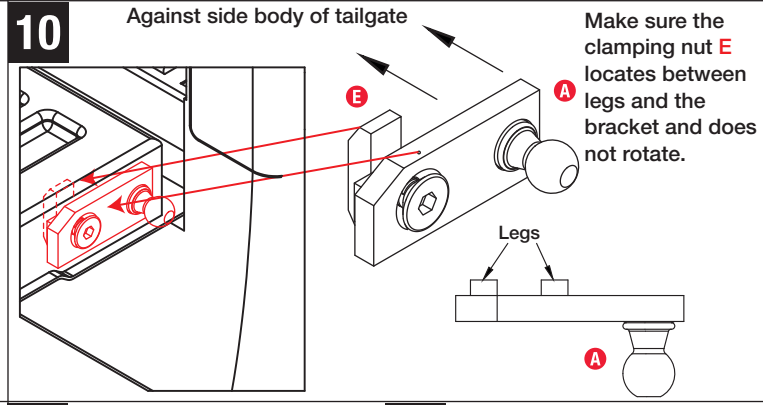
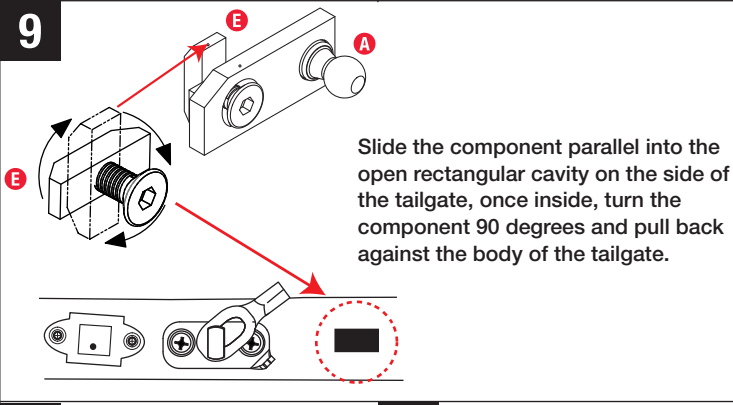
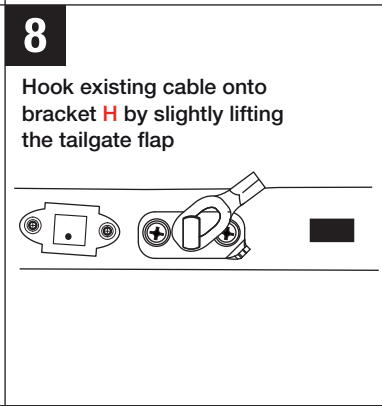
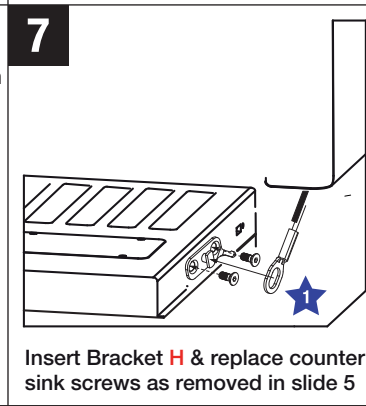
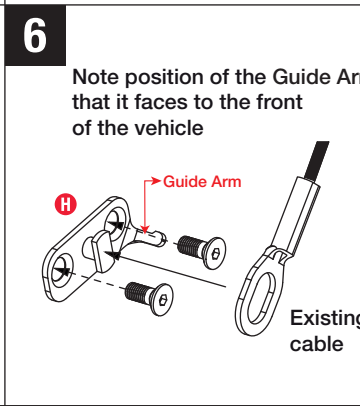
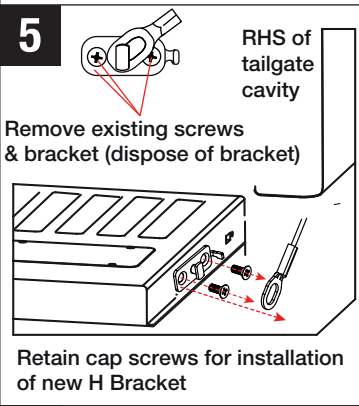
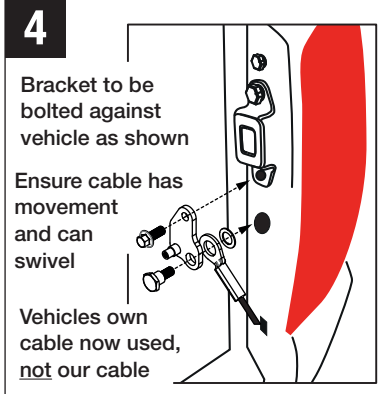
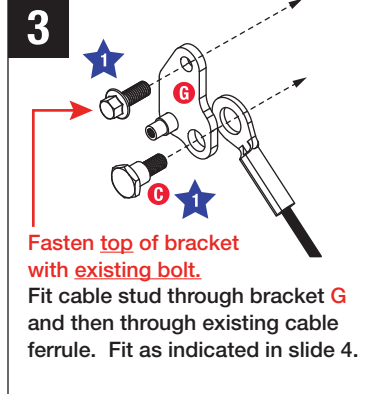
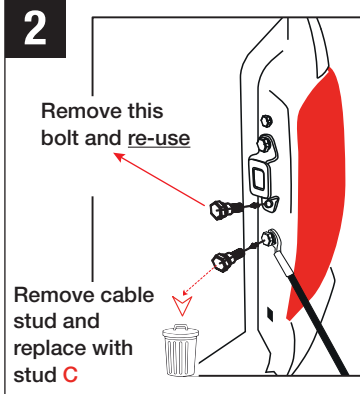


**EZDown Instruction
1st Fitment**

MITSUBISHI ED0195 2017 – 2023

1
RHS and LHS are determined when sitting in the Drivers side of the Vehicle.



FITTING CODE	MANUFACTURER	MODEL TYPE	YEAR	STOCKIST	PRODUCT	REVISION	LABOUR	DATE	PAGE
ED0195	MITSUBISHI	TRITON	2017 - 2023	DEALERSHIPS	EZDOWN	4	20min	05/05/2024	1
TORQUE – N.m	★ 27N.m±2N.m		★ 2	15N.m±2N.m				www.ezdownshop.co.za	

NB: After installation please close tailgate gently to ensure that there is no interference with any hardware.

IMPORTANT:
No liability will be incurred by Industrial Specialised Applications company, for injury, death, or property damage caused by a product which has been set up, operated, and/or installed contrary to EZDown installation guide/manual, or which has been subjected to misuse, negligence, or accident, or which has been repaired or altered by anyone other than Industrial Specialised Applications, or which has been used in a manner or for a purpose for which the product was not designed.

