

BRAVO SNORKEL



NISSAN NAVARA

VARIANT: D23 / NP300 (2015 -)

REF: SNN6

FITMENT SIDE: Right

LINEAR LOW DENSITY POLYETHYLENE RESINE



LL 8446 is a linear low density butene copolymer designed to offer excellent processability, whiteness, and fast grinding rate. This UV stabilized resin is ideally suited for applications that require excellent dimensional control and low warpage.

PROPERTIES

Additive

Long Term UV-8 Stabilizer

Density

0.936 g/cm³ (Based on ISO 1183)

Melt Index (190°/2.16 Kg)

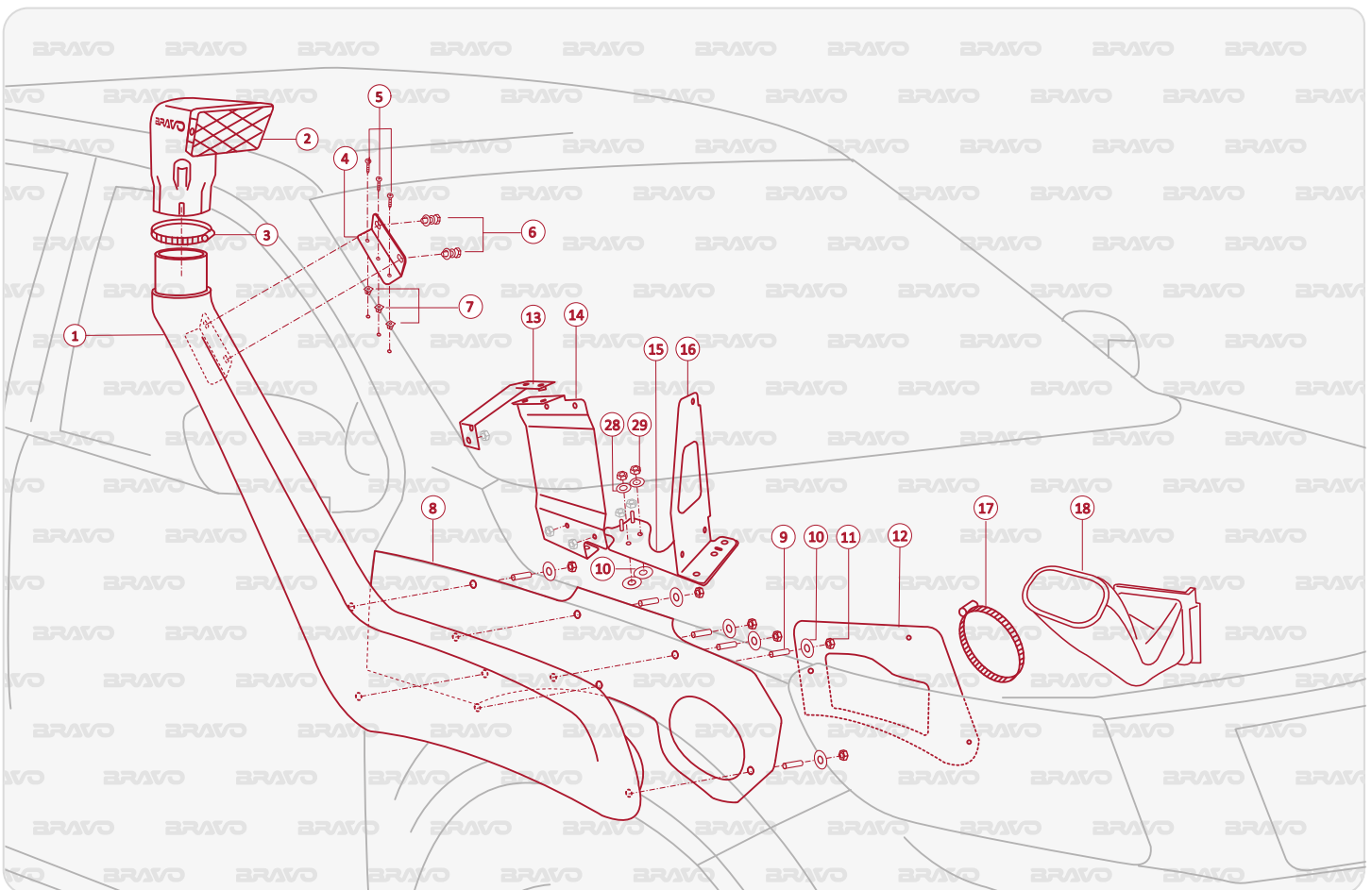
5.0 g/10min (Based on ISO 1183)

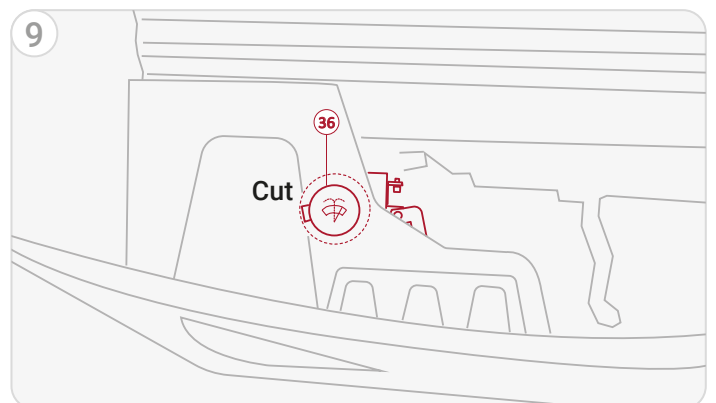
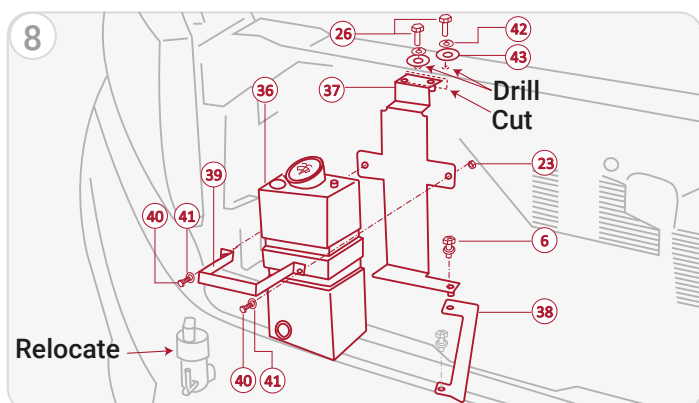
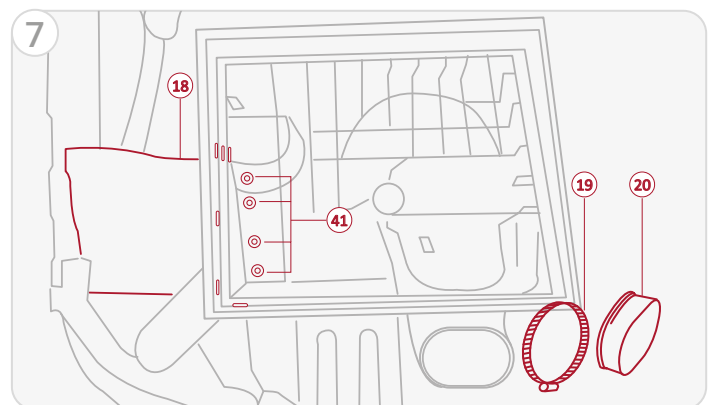
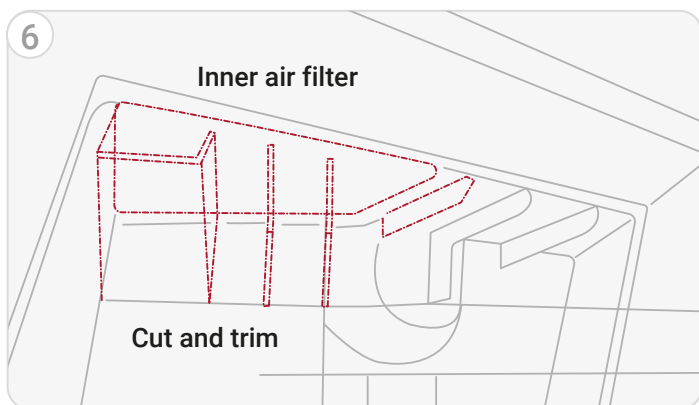
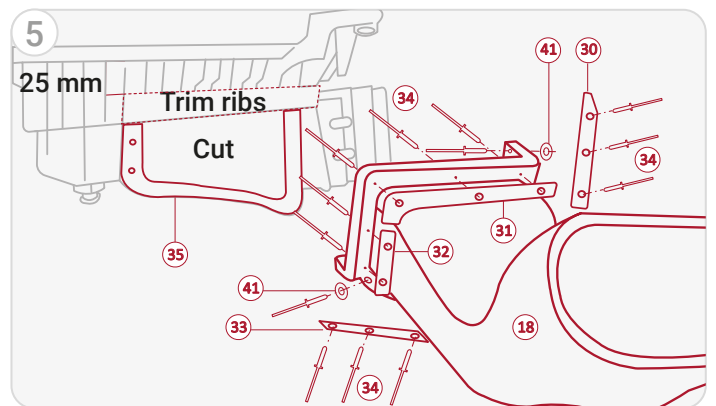
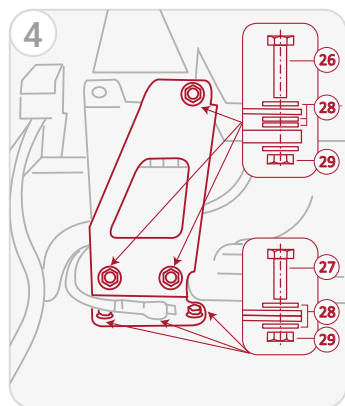
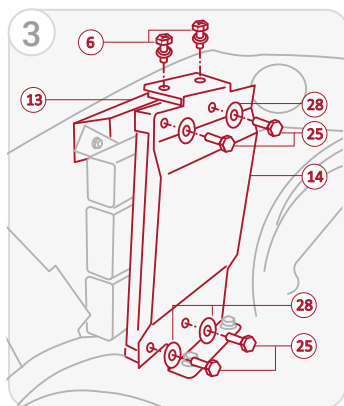
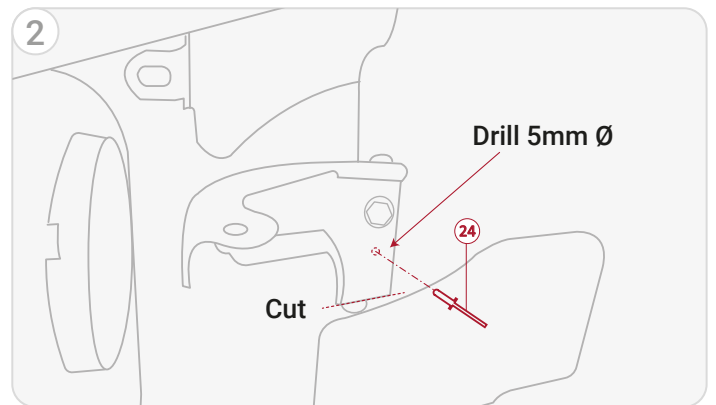
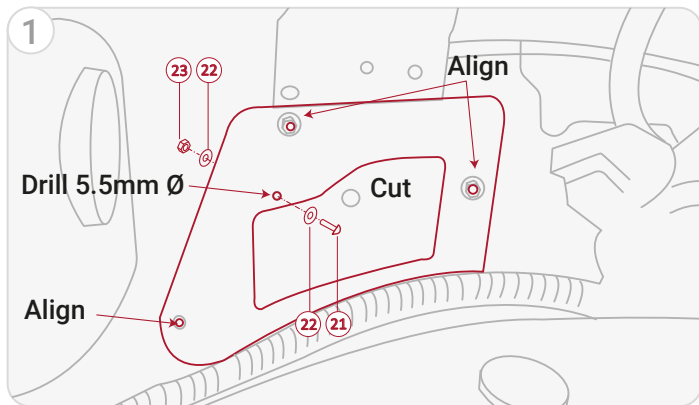
1	Snorkel body		x1
2	Snorkel head	89 mm / 3,5"	x1
3	Black clamp	78 - 101 mm	x1
4	Bracket upper mounting		x1
5	Screw	4 x 16 mm	x3
6	SEMS bolt	M6 x 14 mm	x5
7	Nylon insert		x3
8	Installation template		x1
9	Bolt	8 x 25 mm	x6
10	Washer	8 x 32 mm	x8
11	Nut - nyloc	8 x 13 mm	x6
12	Inner cutting template		x1

13	Ecu support bracket		x1
14	Ecu relocation bracket		x1
15	Base support bracket		x1
16	Module relocation bracket		x1
17	Clamp	100 - 120 mm	x1
18	Rubber duct connecting		x1
19	Clamp	50 - 70 mm	x1
20	Air inlet cap		x1
21	Bolt	5 x 16 mm	x1
22	Washer	5 x 14 mm	x2
23	Nut - nyloc	M5 x 8 mm	x3
24	Rivet	4.8 mm	x1

PART	DESCRIPTION	QTY
25	Hex bolt 6 x 25 mm	x4
26	Hex bolt 6 x 20 mm	x5
27	Hex bolt 6 x 16 mm	x3
28	Washer 6 x 14 mm	x24
29	Nut - nyloc M6 x 10 mm	x7
30	Right side metal bracket	x1
31	Left side metal bracket	x1
32	Upper metal bracket	x1
33	Lower metal bracket	x1
34	Rivet 4 mm	x14

PART	DESCRIPTION	QTY
35	Air box template	x1
36	Washer bottle	x1
37	Washer bottle mounting bracket	x1
38	Washer bottle support	x1
39	Washer mounting clamp	x1
40	Hex bolt 5 x 12 mm	x2
41	Washer 5 x 12 mm	x9
42	Grower washer 6 x 10 mm	x2
43	Washer 6 x 20 mm	x2





Installation process is under installer's responsibility.