



FROM CONCEPT TO USER

LRPT104

Fuel Tank Protection

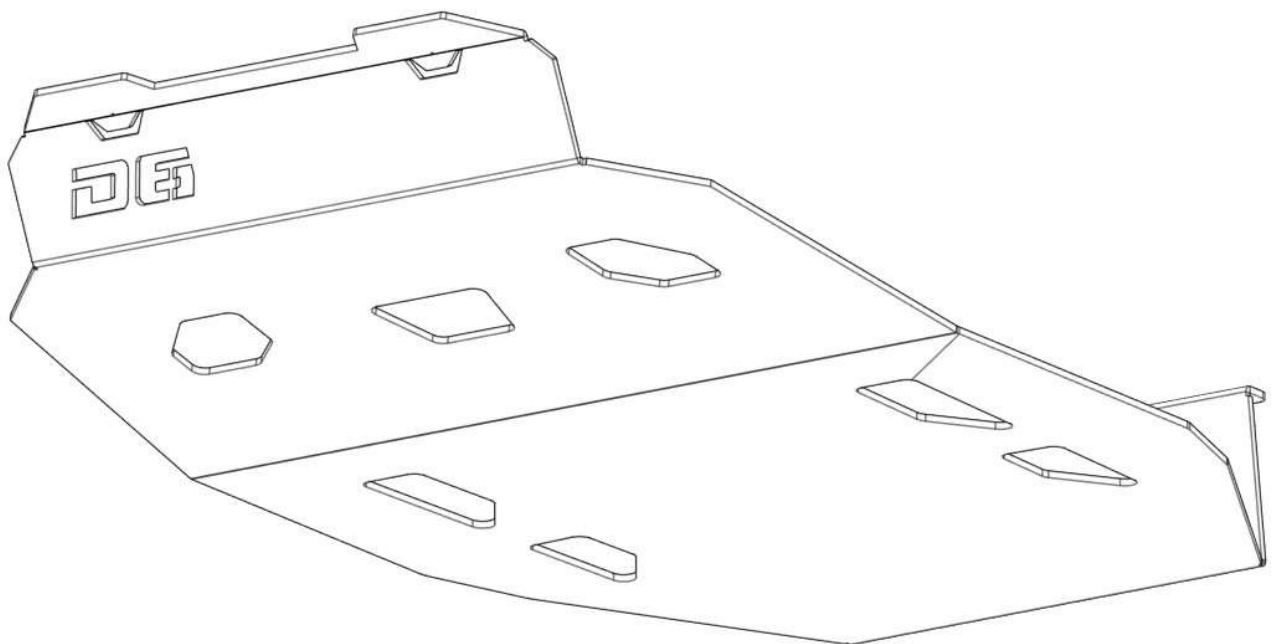
Land Rover

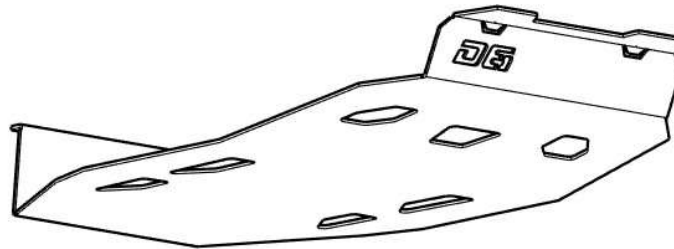
Technical Data

Material	Steel S275JR EN10025-2
Thickness	4 mm
Finish	Textured Black Powder Coating

Vehicle Compatability

Land Rover Discovery I



Checklist:

Fuel Tank Protection

1x

Fitting instructions:

- Use original bolts to put the fuel tank protection in place.