



FROM CONCEPT TO USER

LRPT115

Rockslider

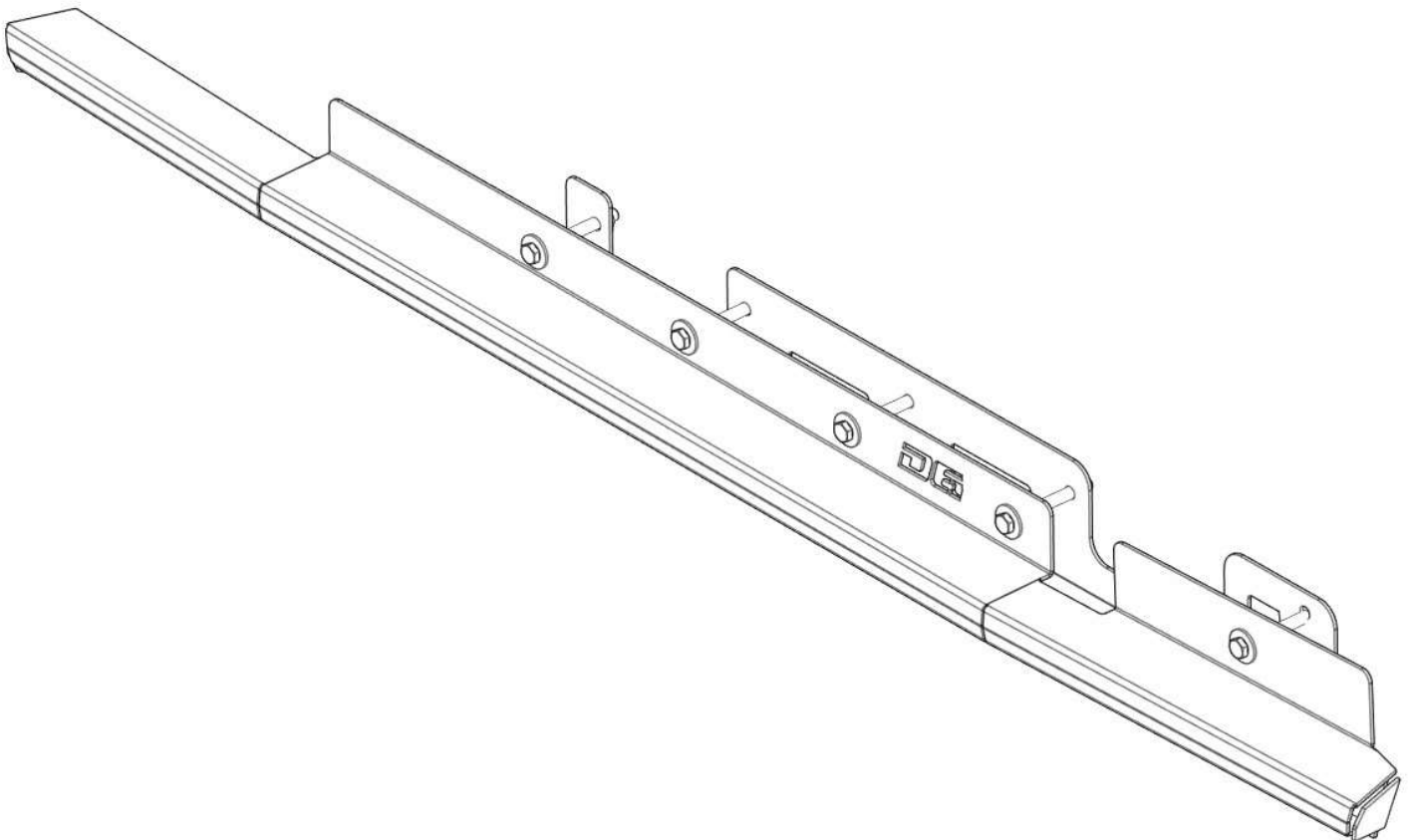
Land Rover

Technical Data

Material	Steel S275JR EN10025-2
Thickness	3 mm
Finish	Textured Black Powder Coating

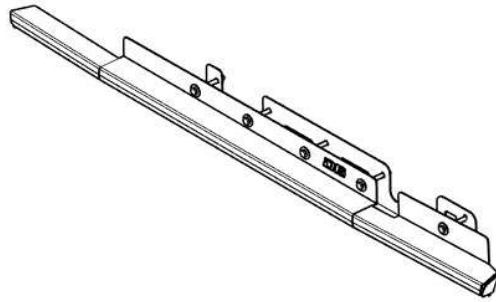
Vehicle Compatability

Land Rover Discovery 1, 2
and RR Classic 5p

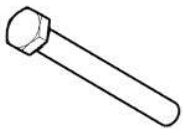


Concept D6 Unipessoal, Lda | Zona Ind. Rio Meão | street 8 | nº 310 | 4520-475 Rio Meão

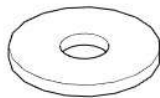
www.D6-4x4.com | facebook.com/d6.4x4 | instagram.com/D6_4x4

Checklist:

Rockslider

 2x (RH / LH)

M10x90

 10x


M10

 20x

M10

 10x

Plastic cover

 10x**Tools required:** 17

Fitting instructions: