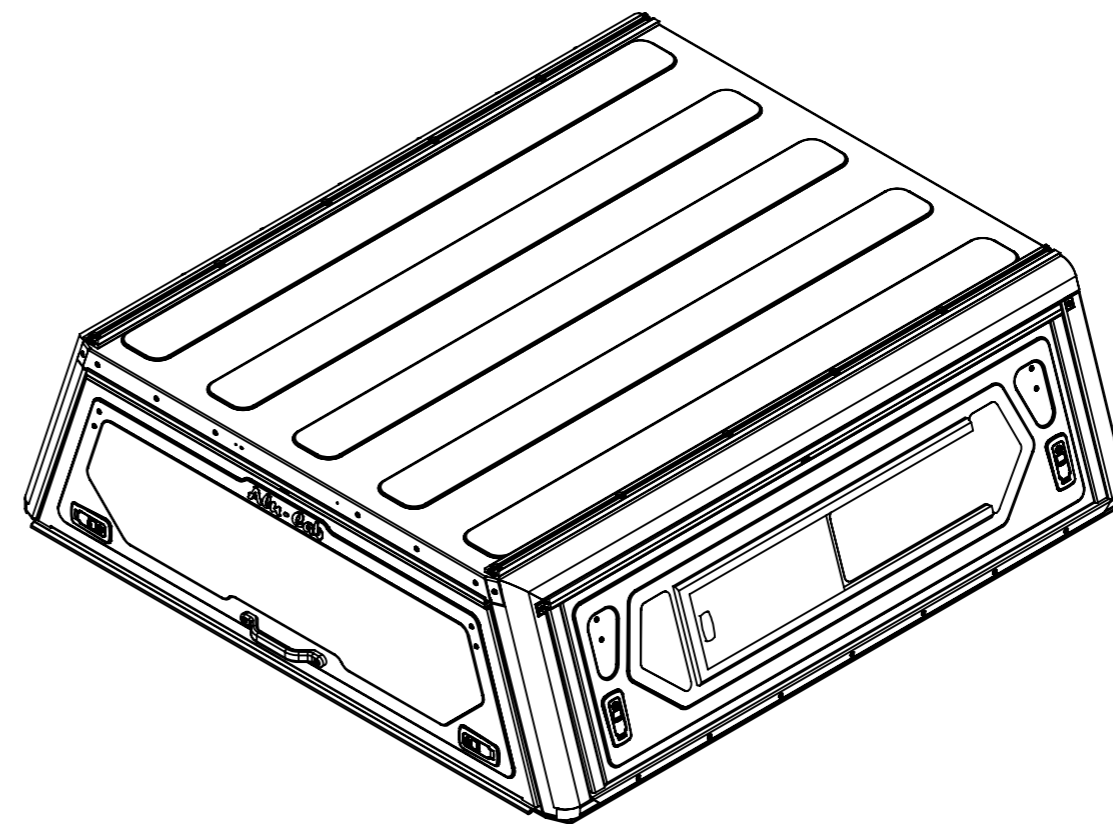
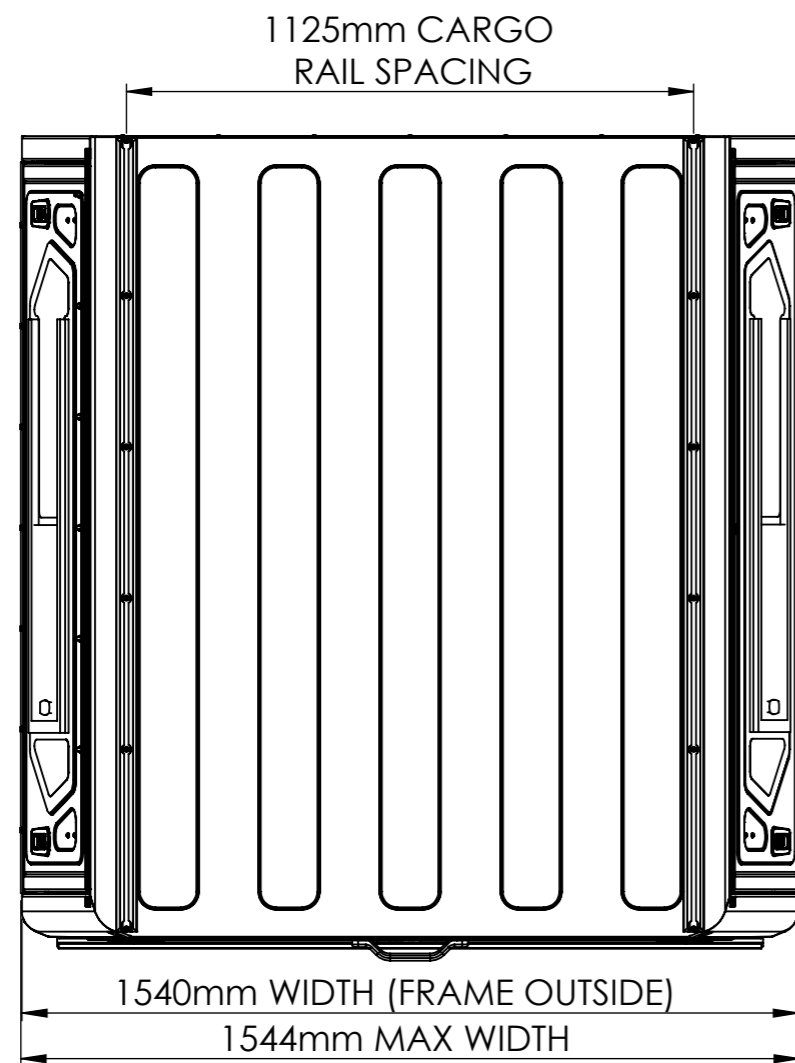
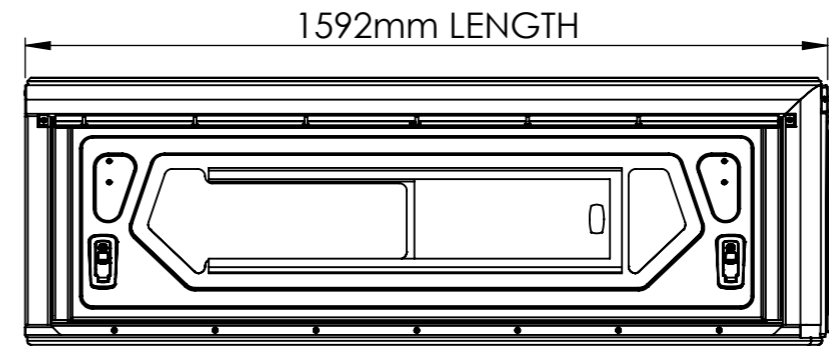
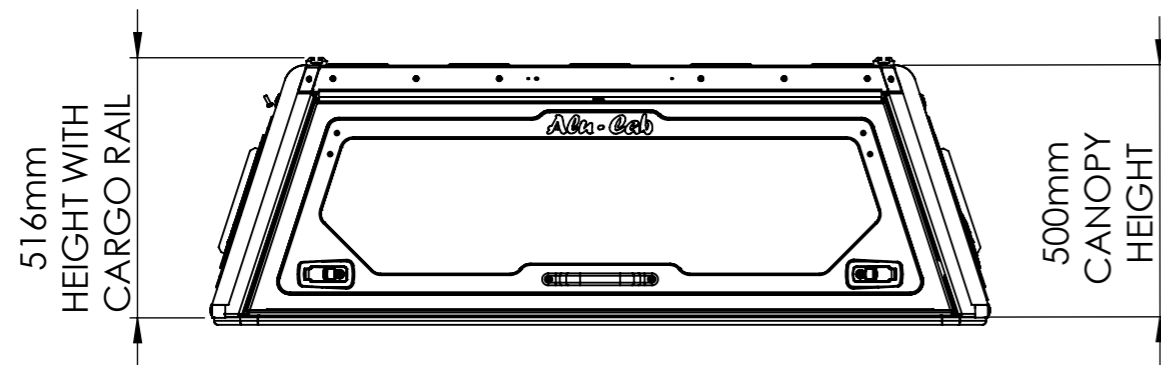


GENERAL ARRANGEMENT ONLY



TOLERANCES TO ASSUME UNLESS INDICATED OTHERWISE

NOM DIMENSION	RANGE (mm)	TOLERANCE
0.50	- 3.00	± 0.10
3.00	- 6.00	± 0.15
6.00	- 30	± 0.20
30	- 120	± 0.30
120	- 400	± 0.50
400	- 1000	± 1.00
1000	- 1000<	± 2.00

DESCRIPTION:
NP300 DC MAIN CANOPY ASSEMBLY

PROJECT:
C2-D-NV16-EU CANOPY G2 NISSAN NAVARA 2016 DCAB

DRAWN BY:
 System Administrator

DATE:
 2022-04-04

THE INFORMATION CONTAINED WITHIN THIS DOCUMENT IS THE INTELLECTUAL PROPERTY OF ALU-CAB (PTY) LTD

SHEET:
 A3

SCALE:
 1:15

SHEET
 1 of 1

DRAWING NO.
C2-D-NV16-EU-A00-GA

