

INSTALLATION MANUAL

PRODUCT: **FRONT BUMPER**

MODEL: **FORD RANGER (2015-on)**
FORD EVEREST (2015-on)

PART NO: **2D.1808.1**



CAUTION!

To reduce the risk of serious injury or damage, please read and understand all instructions and procedures before attempting to install or use this product.
Safety glasses must be worn at all times during installation or maintenance of this product.
Ensure all mounting bolts are tensioned after 1000 kms and periodically there after.

NOTICE

Whilst the bumper adds additional protection to your vehicle, precautionary measures still need to be taken to avoid damage.
Always drive to the conditions and your surroundings.

ADR69 COMPATIBLE
AIR BAG COMPLIANT

FRONT BUMPER FOR FORD RANGER

Part Number: 2D.1808.1
Suited to vehicle: Ford Ranger 2015-
 Ford Everest 2015-

Material: Aluminum / steel
Dimensions: 1950 x 750 x 450 mm
Weight: 45 kg

Compatibility: RIVAL 1841.1 Underbody Armour



SAFETY NOTICE

- * The RIVAL Bumper is designed to compliment the use and design of the specified vehicle under conditions specified by the car manufacturer.
- * While driving the vehicle at any speed, collision with any other vehicle, animal or object must always be avoided.
- * Following any collision with any other vehicle, animal or object, the RIVAL Bumper and the vehicle must be inspected by a specialized or suitably qualified vehicle repairer for possible damage to the components and assemblies in order to confirm suitability for further use of the vehicle.
- * It is strongly recommended that you do not operate a vehicle with a damaged bumper or its components. In the case of damage, please contact the nearest RIVAL dealer.
- * The operation of a vehicle where the bumper is not properly attached and fastened to the vehicle, or where the bumper has been damaged, is extremely dangerous and must be avoided at all cost.

INSTALLATION NOTICE

- * The RIVAL Bumper must be mounted and affixed to the vehicle according to this installation manual.
- * Personal safety during the installation process must be adhered to at all times and the use of personal safety equipment is highly recommended.

REQUIRED TOOLS

- * Basic tool kit
- * Electric drill
- * Angle grinder
- * Drill set
- * Torque wrench
- * Box knife
- * Marker

TORQUE SETTING

* M6	9 Nm
* M10	44 Nm

*ADR69 AND AIR BAG SYSTEM

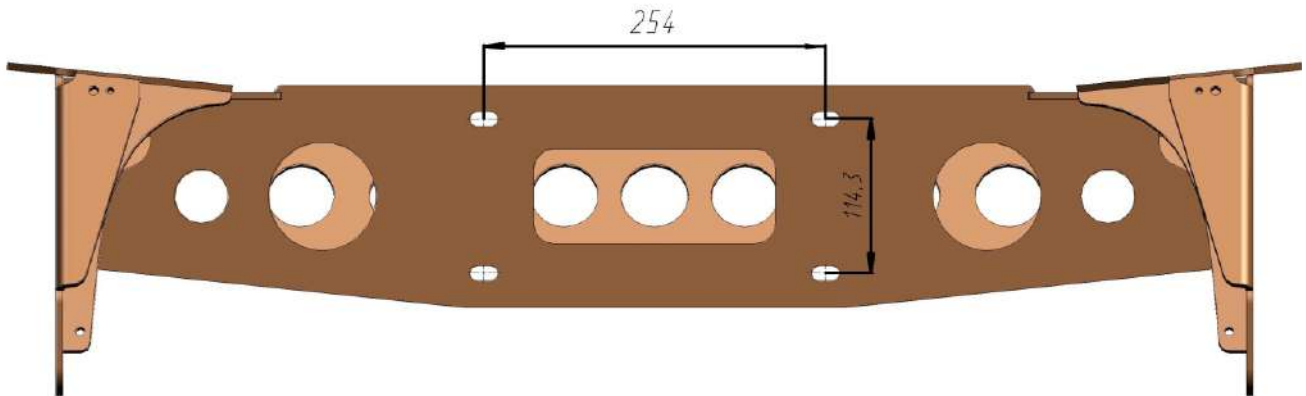
The RIVAL Bumper has been tested and certified to be compatible with ADR69 and will not affect the operation of the Air bag System on this vehicle.

This product or mounting brackets must not be modified in any way, and must be fitted in accordance with the installation instructions.

*WINCH INSTALLATION

A winch with a pull capacity of up to 12000 lb can be installed with the RIVAL Bumper. It is not advisable to exceed this pulling capacity since damage, injury or death may occur where the 12000lb recommended capacity is exceeded. There is a special license plate holder supplied with the bumper which will provide access to the winch.

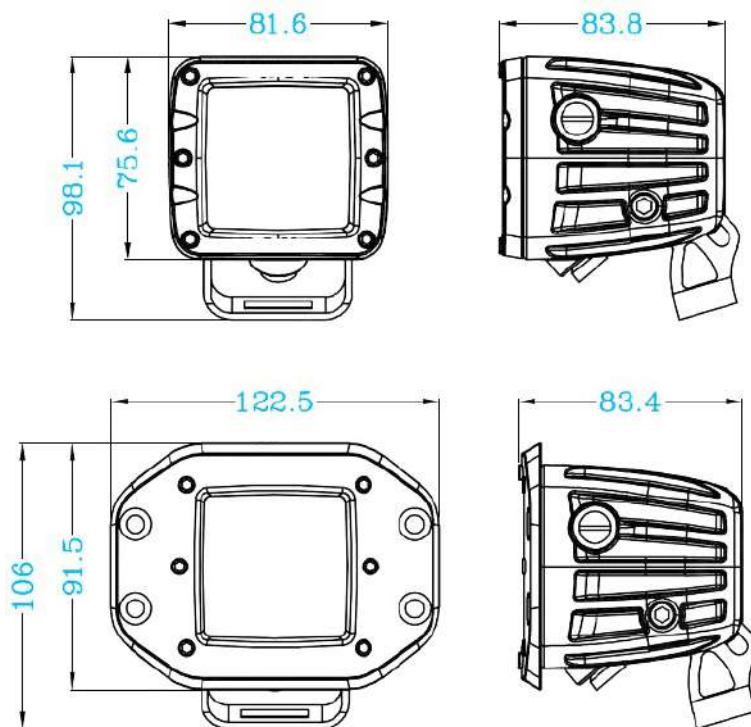
Winch measurements:



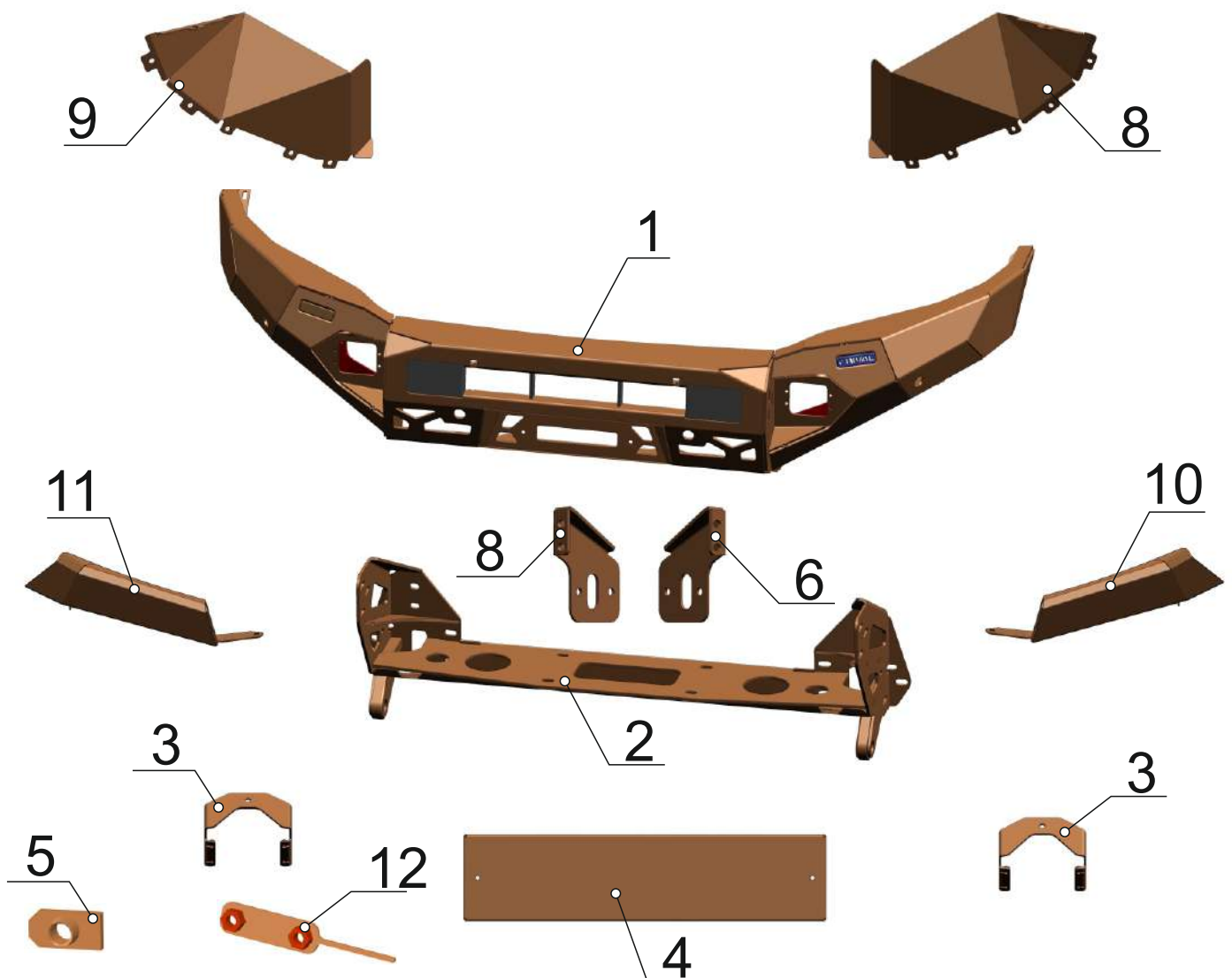
Winch size limits:

L 600 mm x W 190 mm x H 240 mm

Compatible with LED size below:



1. Aluminum bumper body.....	1 pc.	16. Bolt 12x30.....	4 pc.
2. Winch bracket.....	1 pc.	17. Bolt M6x16.....	8 pc.
3. LED bracket.....	2 pc.	18. Bolt M6x20.....	23 pc.
4. License plate holder.....	1 pc.	19. Bolt M10x30.....	6 pc.
5. Insert nut M10.....	2 pc.	20. Nut M6.....	4 pc.
6. Left adjusting plate.....	1 pc.	21. M6 u-unit.....	16 pc.
7. Right adjusting plate.....	1 pc.	22. Nut M10.....	18 pc.
8. Left flap.....	1 pc.	23. Washer M6x12.....	14 pc.
9. Right flap.....	1 pc.	24. Washer M6x18.....	12 pc.
10. Left under light panel.....	1 pc.	25. Washer M10x20.....	26 pc.
11. Right under light panel.....	1 pc.	26. Washer M10x30.....	8 pc.
12. Insert nut M12.....	2 pc.	27. Washer M12x24.....	4 pc.
13. Bolt M6x16.....	2 pc.	28. Plastic ties.....	10 pc.
14. Bolt M10x25.....	12 pc.	29. Countersunk washer.....	6 pc.
15. Bolt M10x30.....	4 pc.		





1. Open the bonnet.
2. Disconnect the negative battery terminal cable.



4. Remove 3 screws from inside of the fenders on each side of the vehicle.

*** Set aside for re-use later**



4. Remove 4 bolts.

*** Set aside for re-use later**



5. Remove plastic plugs out of radiator grill.

*** Set aside for re-use later**

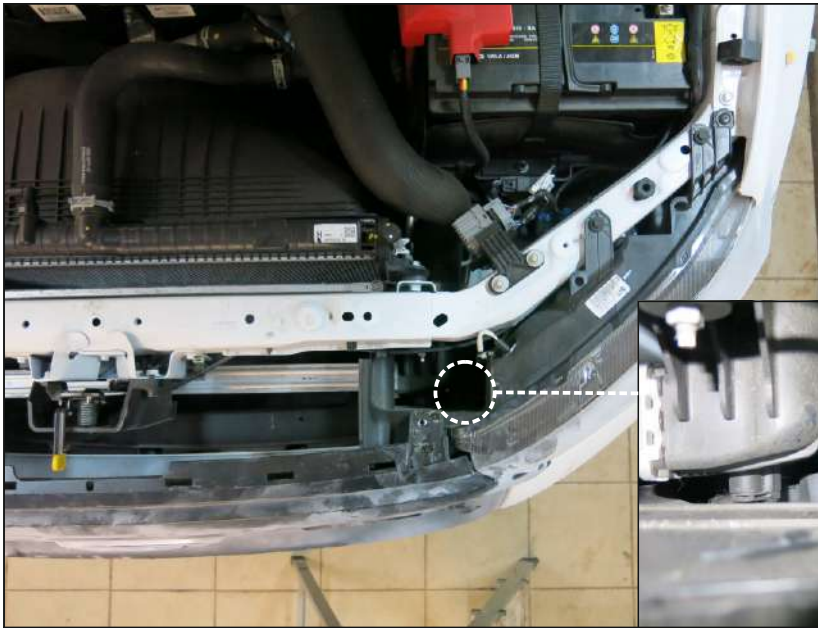


6. Pull the panel up and remove it.



7. Remove 2 bolts out of radiator grill.

*** Set aside for re-use later**



8. Remove 2 bolts out of lower part of radiator grill, then remove radiator grill.

*** Set aside for re-use later**



9. Remove plastic plugs out of the bumper.

*** Set aside for re-use later**



10. Remove the bumper by pulling the bumper towards you holding the sides.



11. Remove plastic plugs out of the panel. Remove the panel.

*** Set aside for re-use later**



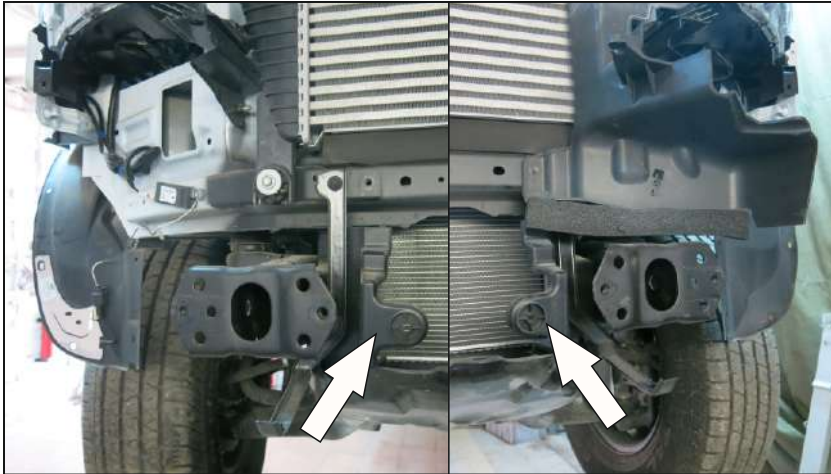
12. Remove 2 bolts out of skid plate fitting.

*** Set aside for re-use later**



13. Remove 4 bolts out of front bumper bracket. Remove the bracket.

*** Set aside for re-use later**



14. Remove plastic side elements.



15. Remove 3 bolts out of plastic brackets from both left and right sides of the vehicle.

*** Set aside for re-use later**



16. Remove the bolts, then remove the bumper panels.

*** Set aside for re-use later**





17. Mount under light panels (10 and 11). Fix them with bolts M6x20 (18), nuts M6 (20) and washers (24).



18. Place insert nuts (12) into the chassis.



19. Install winch bracket (2) to the chassis. Fix it by bolts M10x25 (14), nuts M10 (22) and washers (25).

Do not tighten yet.



20. Fix adjusting brackets (6, 7). Fix them to winch bracket by bolts M10x25 (14), nuts M10 (22) and washers (25).

Temporarily fix adjusting bracket to insert nut M12 (12) through OE hole by bolt M12x30 (16) and washer (27).

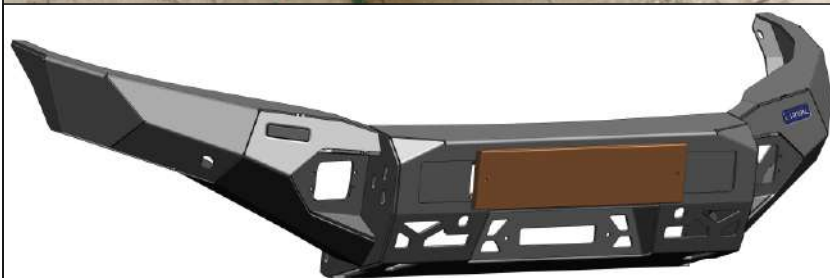
Make a mark for drilling. Remove adjusting bracket, and drill 12mm diameter hole. Mount adjusting bracket back to its place.



21. Fix temperature sensor to the bracket.



22. Place the winch to the bracket, and fix it with the bolts supplied with winch.



23. Place license plate holder on the bumper using bolts M6x16 (13). Tighten screws.

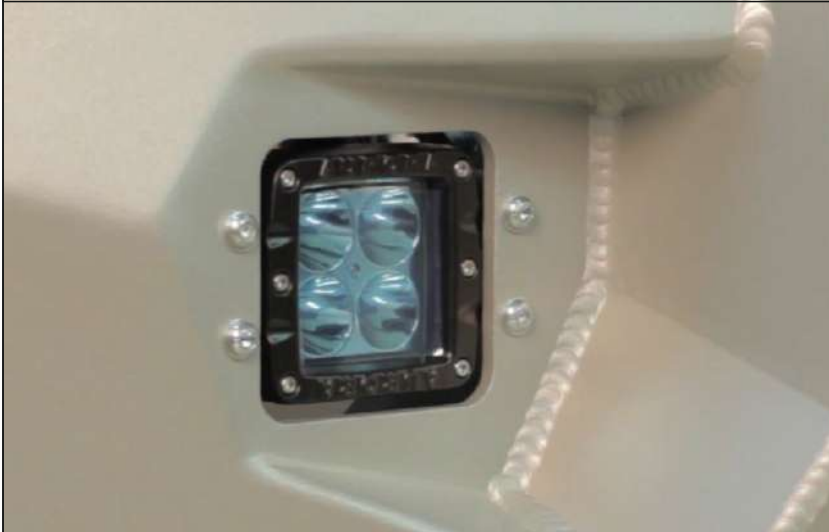


24. For Ranger with parking sensors:
Hammer the plug out and install parking sensors.



25. * Mount LED lights into brackets (3). Tighten the joints.

*LED lights are not supplied with bumper.



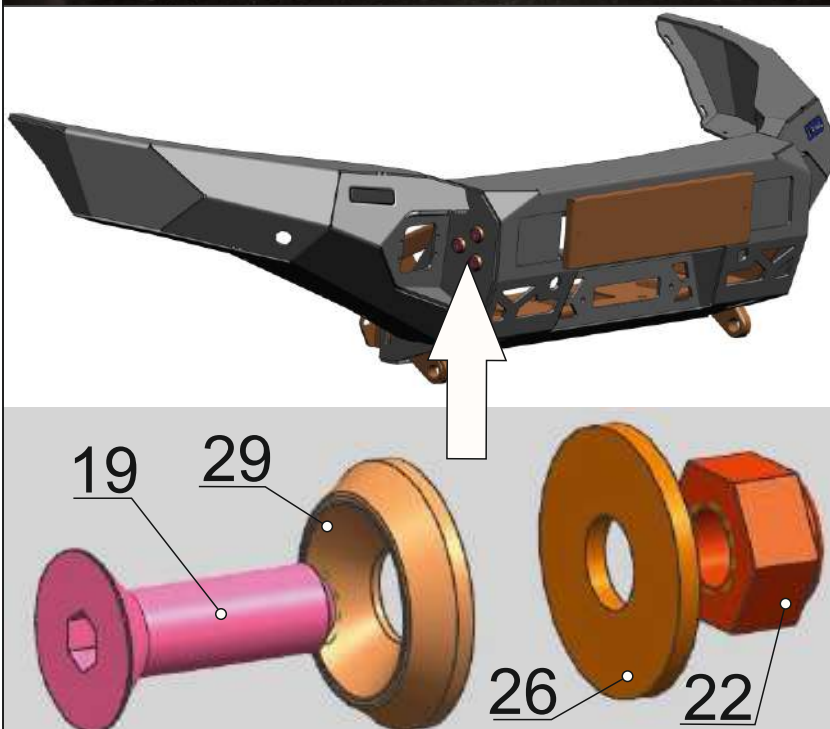
26. * Install brackets with LED lights onto the bumper using bolts M6x16 (17) and washers (23). Adjust to desired position.

*LED lights are not supplied with bumper.



27. Install bumper body (1) onto the winch bracket (2). Fix its lower part to brackets using bolts M10x30 (15), insert nuts M10 (5) and washers (26).

Do not tighten yet.



28. Place bolts M10x30 (19) with countersunk washers (29) from both left and right sides as shown on the picture and secure with nuts M10 (22) and washers (26).

Do not tighten yet.



29. Adjust bumper until you have an equal gap between vehicle body and the bumper on both sides. Tighten bolts after that.



30. Place M6 u-nuts (21) to bumper body.



31. From right side, unstick antenna from the fender. Move antenna upper under the bar.



32. Place M6 u-nut (21) on left and right flaps (8, 9).

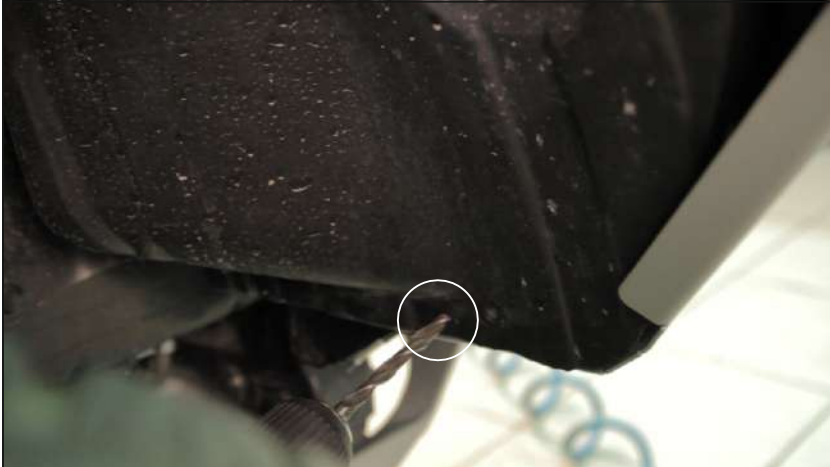


33. Install flaps using bolts M6x20 (18) and washers (24). Make sure the flaps are fixed inside of the bumper, not outside.



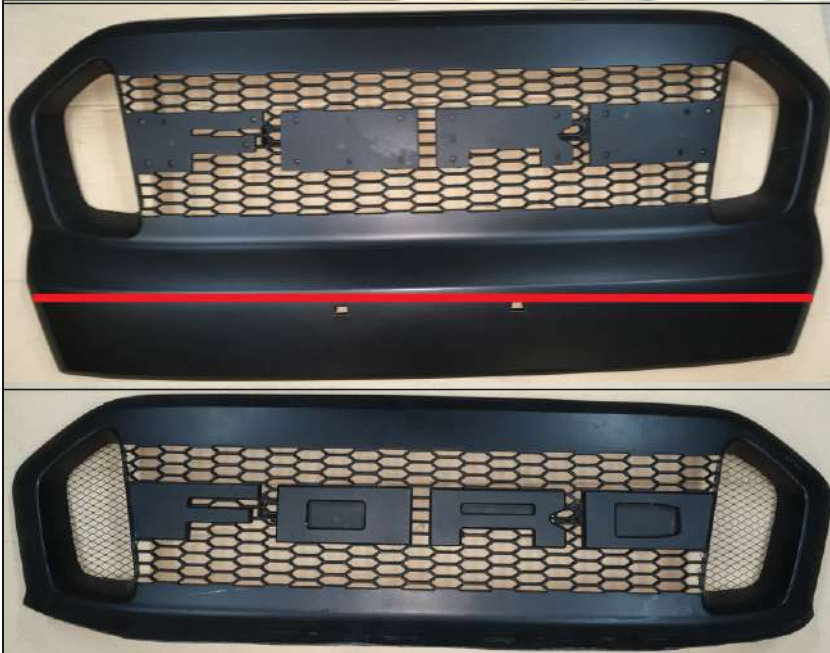
34. Push the flaps to OE plastic fenders and mark the cut line, then cut OE plastic fender.

*It's easier to cut plastic fender when the flaps are not installed.



35. Mark a hole from inner side of the wheel fender from both left and right side of vehicle. Drill a 6-8 mm diameter hole.

Fix the flaps through these holes using bolts M6x20 (22) and washers (28).



36. Cut radiator grill. First cut along the bend line. Then install the grill to the vehicle, and adjust the curve. Fix the grill after.



37. Fix underbody armour to the bumper body using OE bolts.

Before operating a vehicle fitted with a RIVAL Bumper:

- make sure all fittings are tightened
- check winch operation
- check all electrical wiring attached to lights

