

\*For more info about compatibility with other models  
please see the sticker on the skid plate

## VOLKSWAGEN MULTIVAN

No.: 5806.1/6 Engine & gearbox

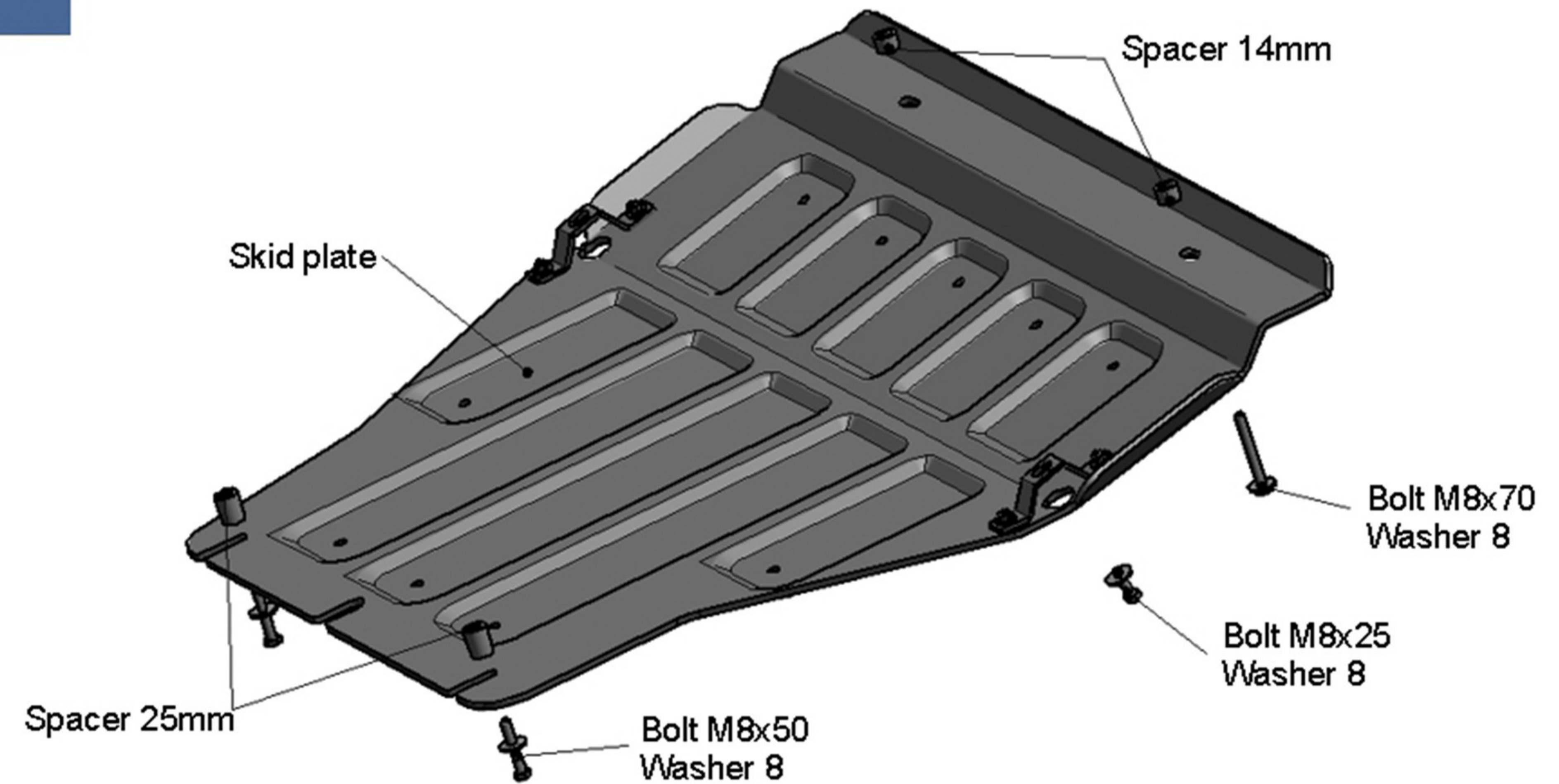
Year: 2003-

Engine: All

Transmission: All

### FITTING KIT

1. Bolt M8x25.....	2 pc
2. Bolt M8x50.....	2 pc
3. Bolt M8x70.....	2 pc
4. Washer 8.....	6 pc
5. Spacer 14mm.....	2 pc
6. Spacer 25mm.....	2 pc



## INSTALLATION INSTRUCTIONS

1. Skid plate is installed over factory plastic guard.
2. Screw two original bolts out of rear end of factory plastic guard, then screw bolt M8x50 to these points with spacers 25mm.
3. Screw four bolts out of front end of factory guard.
4. Place rear end of skid plate on mounted bolts M8x50, then fix its middle part with bolts M8x25, then fix its front end with bolts M8x70 with spacers 14mm.
5. Tighten all screws (50 Nm for M10, 30 Nm for M8, 10 Nm for M6). Do not use pneumatic or power tools to tighten.



[WWW.RIVAL4X4.COM](http://WWW.RIVAL4X4.COM)